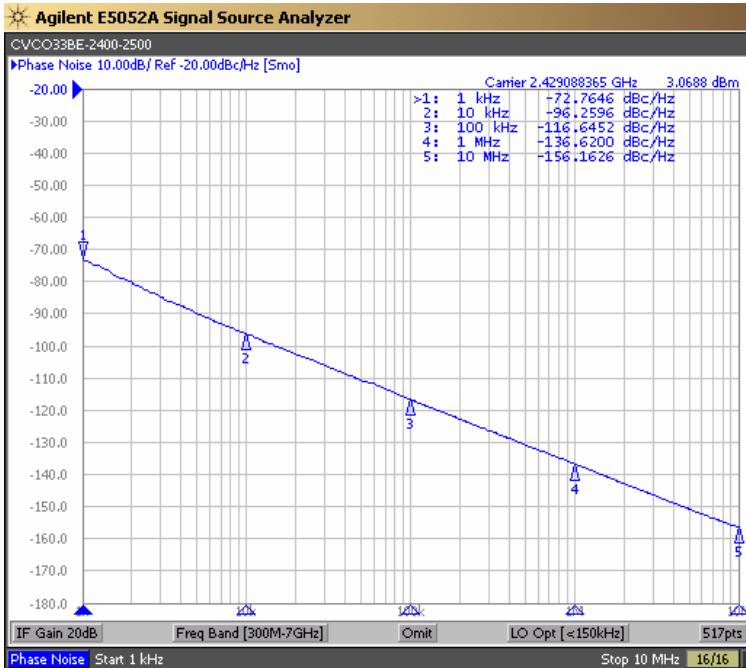


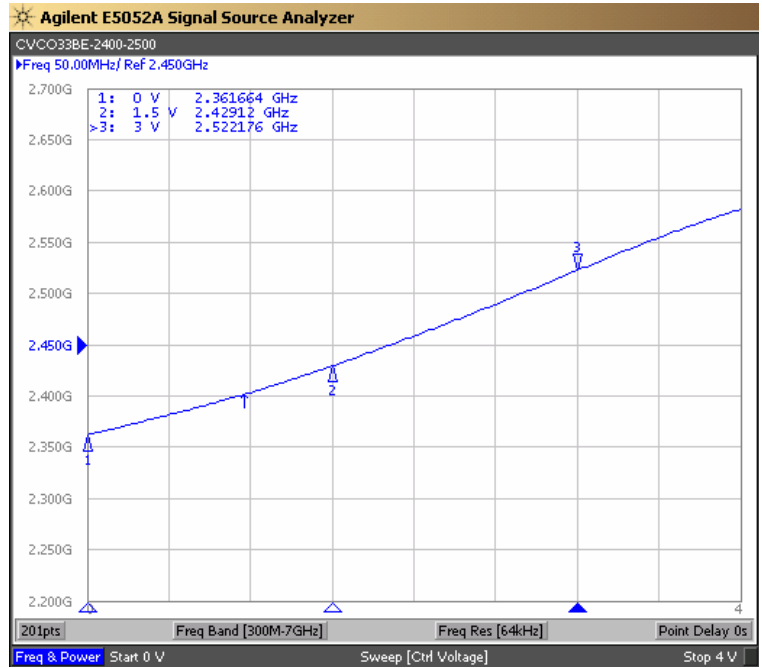


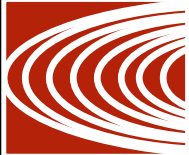
PERFORMANCE SPECIFICATION	MIN	TYP	MAX	UNITS
Lower Frequency:			2400	MHz
Upper Frequency:	2500			MHz
Tuning Voltage:	0		3.0	VDC
Supply Voltage:	2.85	3.0	3.15	VDC
Output Power:	+1.0	+3.0	+5.0	dBm
Supply Current:		19		mA
Harmonic Suppression (2 nd Harmonic):		-20		dBc
Pushing:			5.0	MHz/V
Pulling, all Phases:			17.0	MHz pk-pk
Tuning Sensitivity:		105		MHz/V
Phase Noise @ 10kHz offset:		-96		dBc/Hz
Phase Noise @ 100kHz offset:		-116		dBc/Hz
Load Impedance:		50		Ω
Input Capacitance:			22	pF
Operating Temperature Range:	-40		+85	$^{\circ}\text{C}$
Storage Temperature Range:	-45		+90	$^{\circ}\text{C}$

Phase Noise (1 Hz BW, Typical)



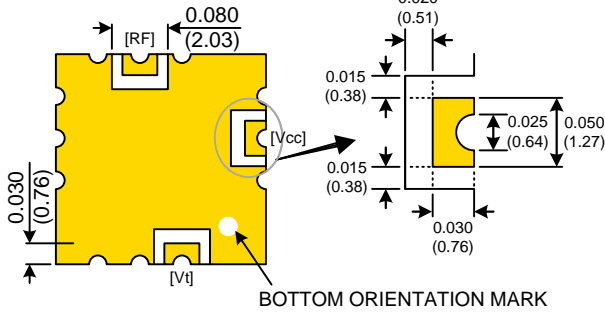
Tuning Curve (Typical)



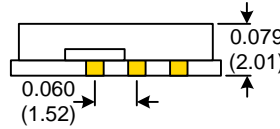


Gold Finish

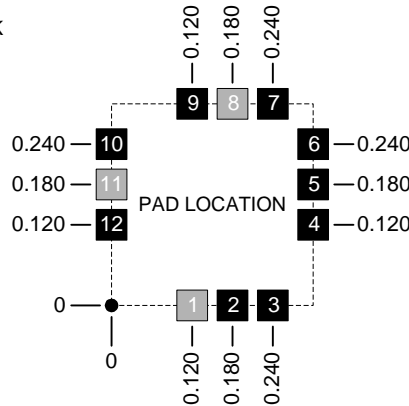
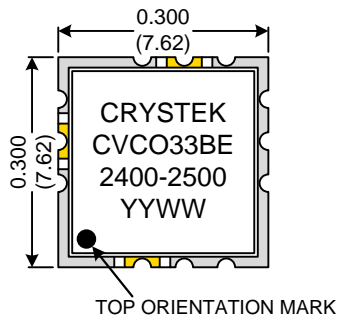
BOTTOM VIEW



SIDE VIEW



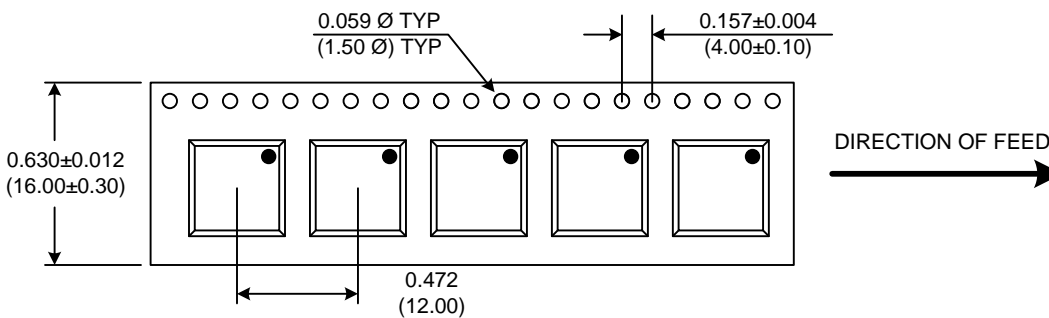
TOP VIEW



Pad	Connection
1	Vt
8	RF-OUTPUT
11	Vcc
Others	GROUND

- Unless otherwise specified, Dimensions are in: IN (mm)
- Pad Location Dimensions are in: Inches

TAPE AND REEL



Drawing not to scale

Product Control:

Crystek Part Number:	CVCO33BE-2400-2500	Release Date:	15-Jul-09
Revision Level:	E	Responsible:	C. Vales

Specification is subject to change without notice

