

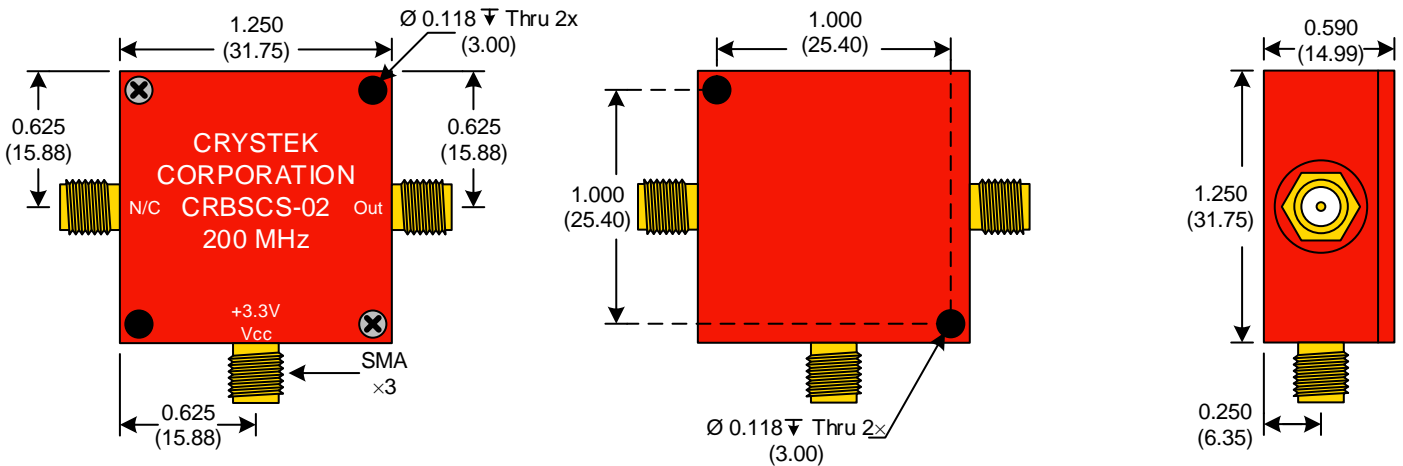


Frequency:	200.000 MHz
Temperature Range:	-40°C to 85°C
Input Voltage:	+3.3 V ±5%
Input Current:	30 mA Max
Output:	TrueSineWave
Frequency Stability:	±25 ppm Max
Output Power:	+5 dBm Min
Start-up Time:	2 ms Typical, 5 ms Max
Load:	50 Ω
2nd Harmonic:	-20 dBc Max
Sub-Harmonics:	-45 dBc Typical, -40 dBc Max
Period Jitter: (20,000 periods)	<5 ps RMS (1-sigma) Max
Phase Jitter: 12 kHz ~ 20 MHz	<1 ps RMS (1-sigma) Max
50 kHz ~ 80 MHz	<1 ps RMS (1-sigma) Max
Phase Noise Typical: 10 Hz	-70 dBc/Hz
100 Hz	-100 dBc/Hz
1 kHz	-130 dBc/Hz
10 kHz	-145 dBc/Hz
100 kHz	-150 dBc/Hz
1 MHz	-150 dBc/Hz
Aging:	<±3 ppm 1 st year, <±1 ppm every year thereafter

FRONT

BACK

SIDE



● Unless otherwise specified, Dimensions are in: $\frac{IN}{(mm)}$

Product Control:

Crystek Part Number:	CRBSCS-02-200.000	Release Date:	27-Sep-2016
Revision Level:	C	Responsible:	C. Vales

