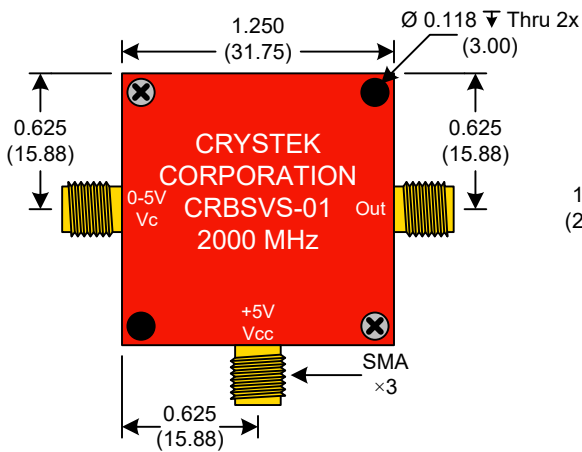




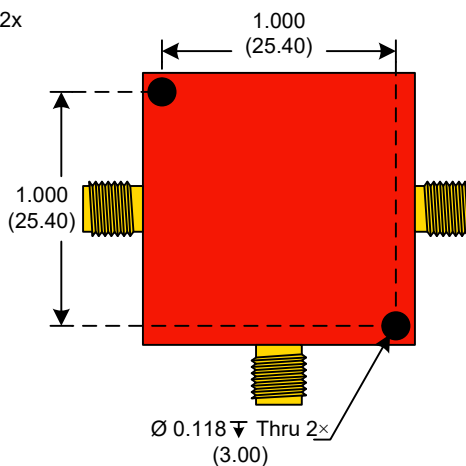
Frequency: 2000.000 MHz
Temperature Range: -20°C to 70°C
Input Voltage: +5.0 V
Input Current: 50 mA Max
Control Voltage Range: 0V to 5.0V
Tuning Sensitivity (Kv): +120 ppm/V Typical
Settability At Nominal (25°C): 0.7V to 2.0V
Output: TrueSineWave
 Frequency Stability: ±150ppm Typical
 Output Power: +8 dBm Min
 Start-up Time: 2 ms Typical, 5 ms Max
 Load: 50 Ω
2nd Harmonic: -20 dBc Max
Sub-Harmonics: None
Phase Noise Typical: 1 kHz -105 dBc/Hz
 10 kHz -130 dBc/Hz
 100 kHz -145 dBc/Hz
 1 MHz -158 dBc/Hz
 10 MHz -164 dBc/Hz
 20 MHz -166 dBc/Hz
Aging: <5 ppm 1st year, <1 ppm every year thereafter



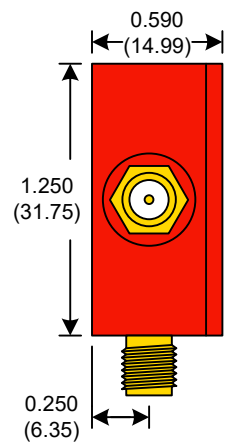
FRONT



BACK



SIDE

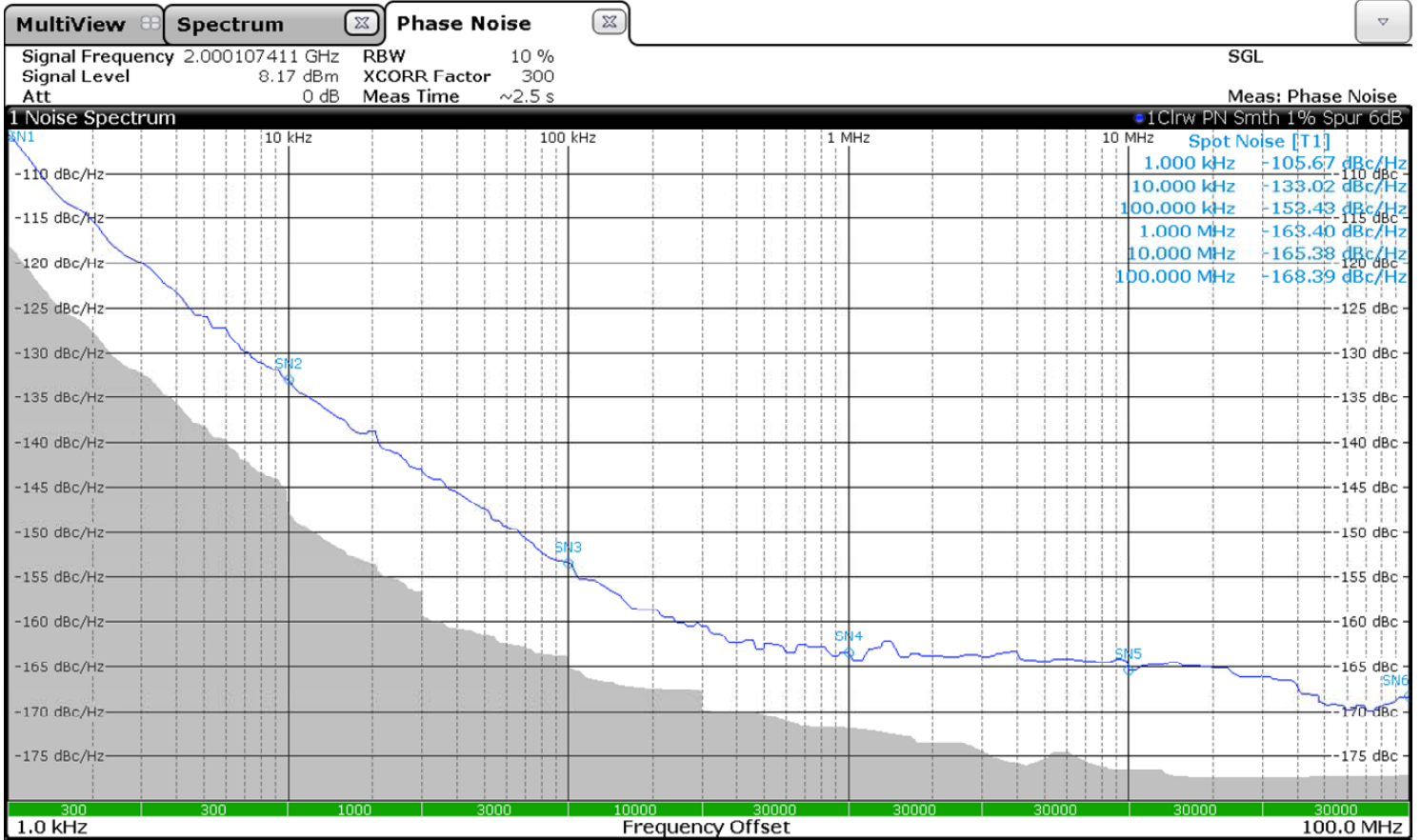


● Unless otherwise specified, Dimensions are in: $\frac{\text{IN}}{\text{(mm)}}$

Product Control:			
Crystek Part Number:	CRBSVS-01-2000.000	Release Date:	22-Jan-2018
Revision Level:	A	Responsible:	C. Vales



Phase Noise (1 Hz BW, Typical)



Product Control:

Crystek Part Number:	CRBSVS-01-2000.000	Release Date:	22-Jan-2018
Revision Level:	A	Responsible:	C. Vales

Crystek Corporation reserves the right to make changes to its products and/or information contained herein without notice. No liability is assumed as a result of its use or application.

