



CRYSTEK
MICROWAVE
 A DIVISION OF CRYSTEK CORPORATION

RedBox SOURCE
 CRBSVS-02-100.000

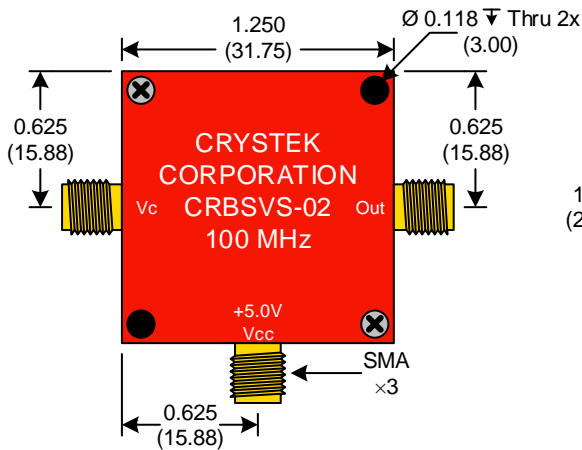


Frequency: 100.000 MHz
Temperature Range: 0°C to 70°C
Input Voltage: +5.0 V ±5%
Input Current: 30 mA Max
Control Voltage Range: 0V to 5.0V
Tuning Sensitivity (Kv): +25 ppm/V Typical
Modulation Bandwidth: >10 kHz @ -3 dB
Settability At Nominal (25°C): 2.5V ±0.5V
Output: TrueSineWave
 Pullability APR: ±20ppm Typical
 Linearity: ±10% Max
 Output Power: +5 dBm Min, +7 dBm Typical
 Start-up Time: 2 ms Typical, 5 ms Max
 Load: 50 Ω
2nd Harmonic: -25 dBc Max
Sub-Harmonics: None
Phase Noise Typical: 10 Hz -85 dBc/Hz
 100 Hz -120 dBc/Hz
 1 kHz -145 dBc/Hz
 10 kHz -162 dBc/Hz
 100 kHz -170 dBc/Hz
 1 MHz -170 dBc/Hz

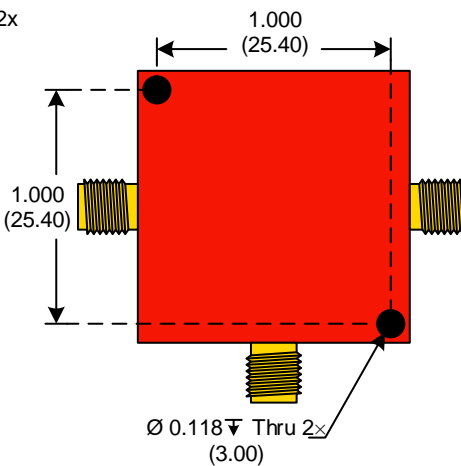
Aging: <3 ppm 1st year, <1 ppm every year thereafter



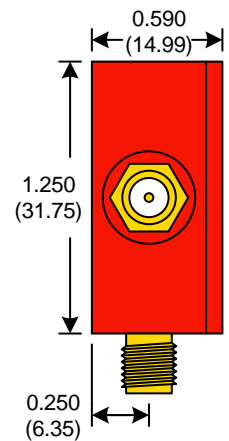
FRONT



BACK



SIDE



● Unless otherwise specified, Dimensions are in: $\frac{IN}{(mm)}$

Product Control:			
Crystek Part Number:	CRBSVS-02-100.000	Release Date:	27-Sep-2016
Revision Level:	C	Responsible:	C. Vales



CRYSTEK
 CORPORATION

12730 COMMONWEALTH DRIVE • FORT MYERS, FLORIDA 33913
 PHONE: 239-561-3311 • 800-237-3061
 FAX: 239-561-1025 • WWW.CRYSTEK.COM