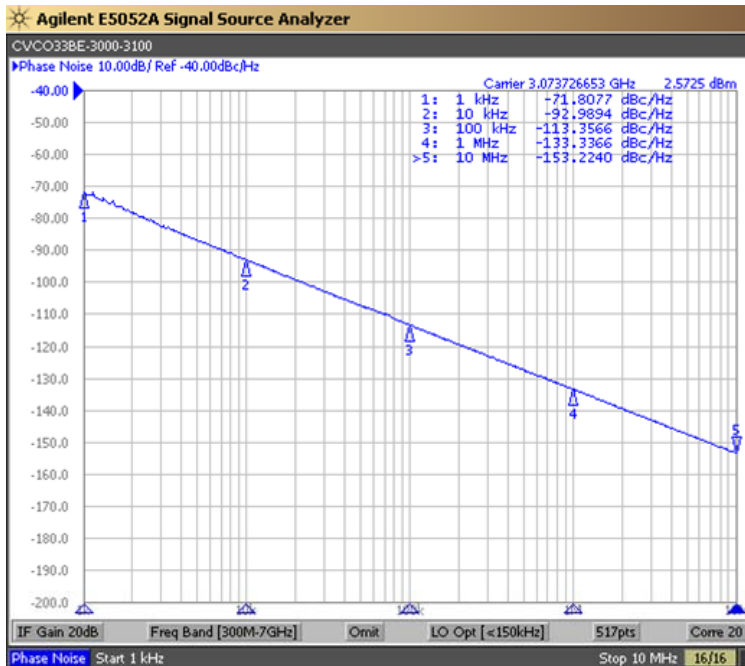


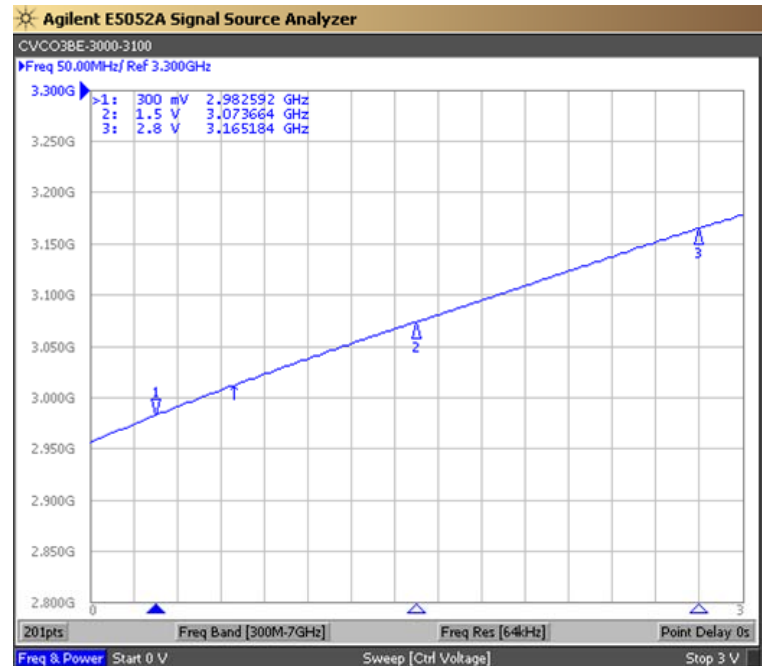


| PERFORMANCE SPECIFICATION | MIN | TYP | MAX | UNITS |
|--|------|------|------|--------------------|
| Lower Frequency: | | | 3000 | MHz |
| Upper Frequency: | 3100 | | | MHz |
| Tuning Voltage: | 0.3 | | 2.8 | VDC |
| Supply Voltage: | 2.85 | 3.0 | 3.15 | VDC |
| Output Power: | +2.0 | +5.0 | +8.0 | dBm |
| Supply Current: | | 26 | 30 | mA |
| Harmonic Suppression (2 nd Harmonic): | | -15 | -10 | dBc |
| Pushing: | | 1.0 | | MHz/V |
| Pulling, all Phases: | | 6.0 | | MHz pk-pk |
| Tuning Sensitivity: | | 40 | | MHz/V |
| Phase Noise @ 10kHz offset: | | -90 | -85 | dBc/Hz |
| Phase Noise @ 100kHz offset: | | -110 | -105 | dBc/Hz |
| Load Impedance: | | 50 | | Ω |
| Input Capacitance: | | | 22 | pF |
| Operating Temperature Range: | -40 | | +85 | $^{\circ}\text{C}$ |
| Storage Temperature Range: | -45 | | +90 | $^{\circ}\text{C}$ |

Phase Noise (1 Hz BW, Typical)



Tuning Curve (Typical)

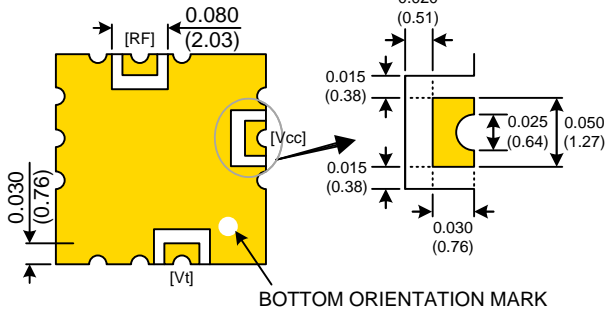


Product Control:

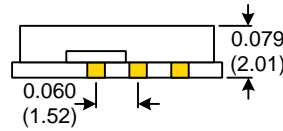
| | | | |
|----------------------|--------------------|---------------|-------------|
| Crystek Part Number: | CVCO33BE-3000-3100 | Release Date: | 04-Jun-2015 |
| Revision Level: | C | Responsible: | C. Vales |

Gold Finish

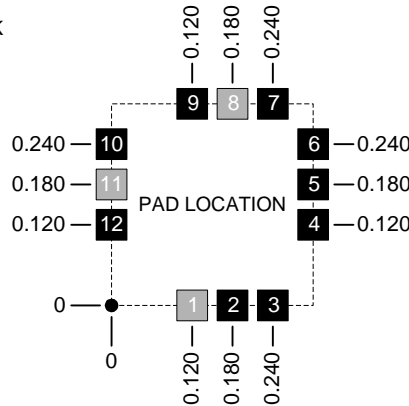
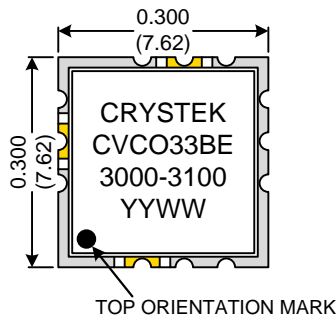
BOTTOM VIEW



SIDE VIEW



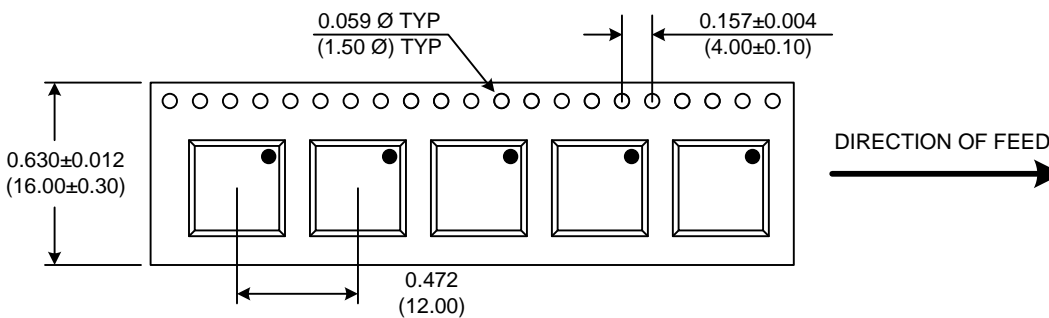
TOP VIEW



| Pad | Connection |
|--------|------------|
| 1 | Vt |
| 8 | RF-OUTPUT |
| 11 | Vcc |
| Others | GROUND |

- Unless otherwise specified, Dimensions are in: $\frac{IN}{(mm)}$
- Pad Location Dimensions are in: Inches

TAPE AND REEL



Drawing not to scale

Product Control:

| | | | |
|----------------------|--------------------|---------------|-------------|
| Crystek Part Number: | CVCO33BE-3000-3100 | Release Date: | 04-Jun-2015 |
| Revision Level: | C | Responsible: | C. Vales |

Specification is subject to change without notice