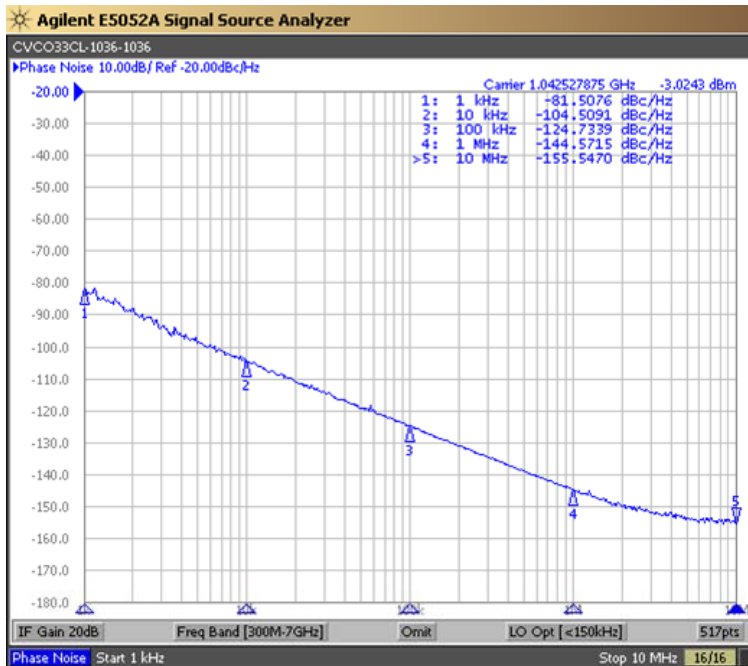


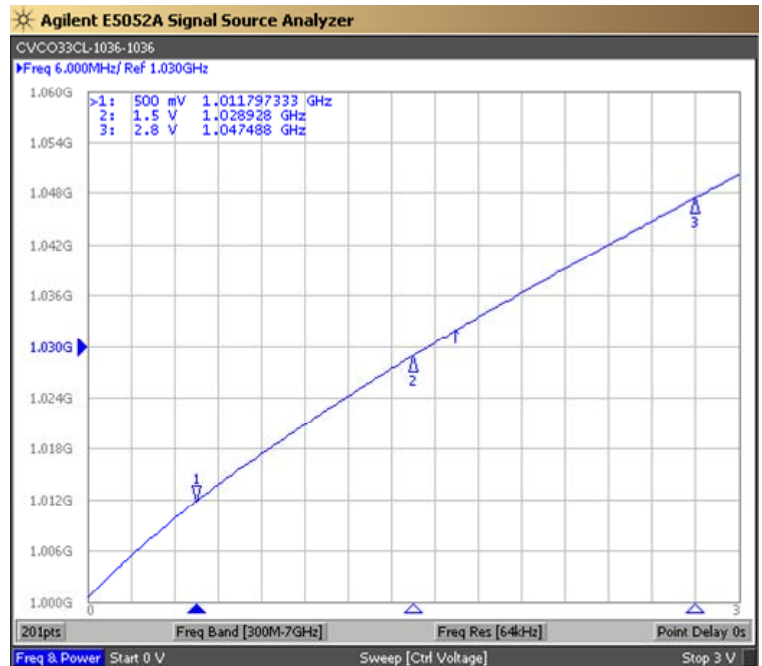


PERFORMANCE SPECIFICATION	MIN	TYP	MAX	UNITS
Lower Frequency:			1036	MHz
Upper Frequency:	1036			MHz
Tuning Voltage:	0.5		2.8	VDC
Supply Voltage:	3.135	3.3	3.465	VDC
Output Power:	-5.0	-2.5	0	dBm
Supply Current:			10	mA
Harmonic Suppression (2 nd Harmonic):			-10	dBc
Pushing:		1.0		MHz/V
Pulling, all Phases:		5.0		MHz pk-pk
Tuning Sensitivity:		8		MHz/V
Phase Noise @ 10kHz offset:		-104		dBc/Hz
Phase Noise @ 100kHz offset:		-124		dBc/Hz
Load Impedance:		50		Ω
Input Capacitance:			27	pF
Operating Temperature Range:	-40		+85	$^{\circ}$ C
Storage Temperature Range:	-45		+90	$^{\circ}$ C

Phase Noise (1 Hz BW, Typical)



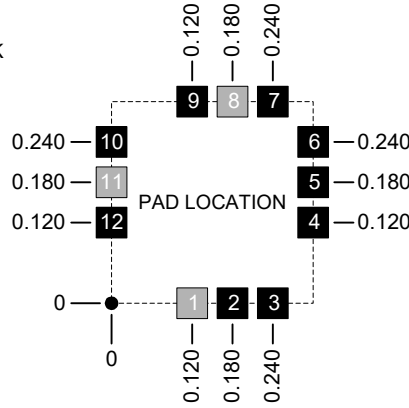
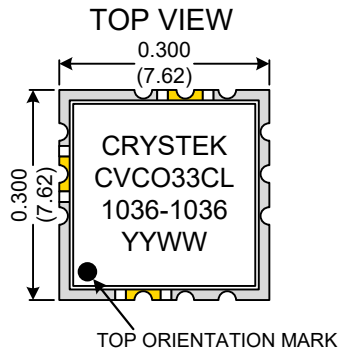
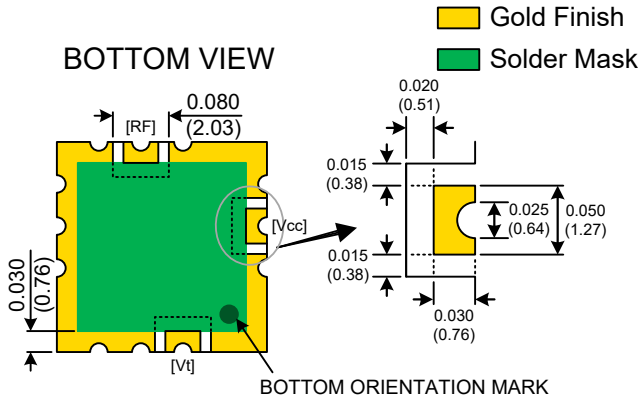
Tuning Curve (Typical)



Product Control:

Crystek Part Number:	CVCO33CL-1036-1036	Release Date:	20-Jul-2018
Revision Level:	B	Responsible:	C. Vales

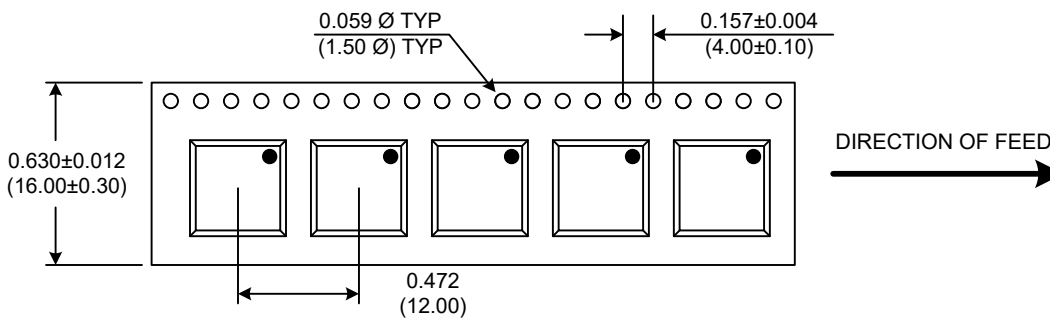




Pad	Connection
1	Vt
8	RF-OUTPUT
11	Vcc
Others	GROUND

- Unless otherwise specified, Dimensions are in: $\frac{IN}{(mm)}$
- Pad Location Dimensions are in: Inches

TAPE AND REEL



Drawing not to scale

Product Control:

Crystek Part Number:	CVCO33CL-1036-1036	Release Date:	20-Jul-2018
Revision Level:	B	Responsible:	C. Vales

Specification is subject to change without notice

