



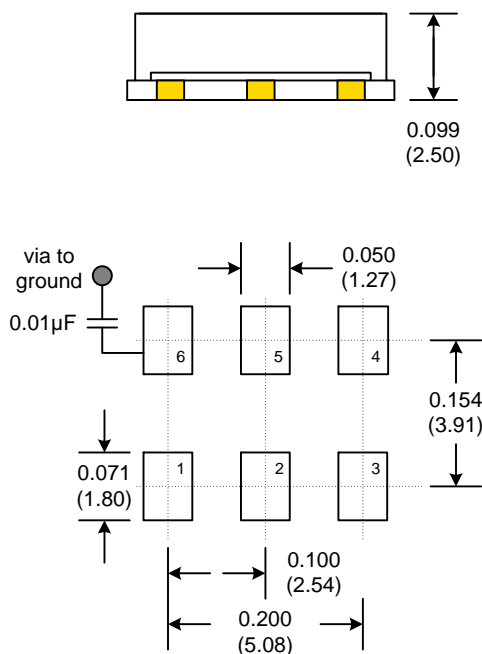
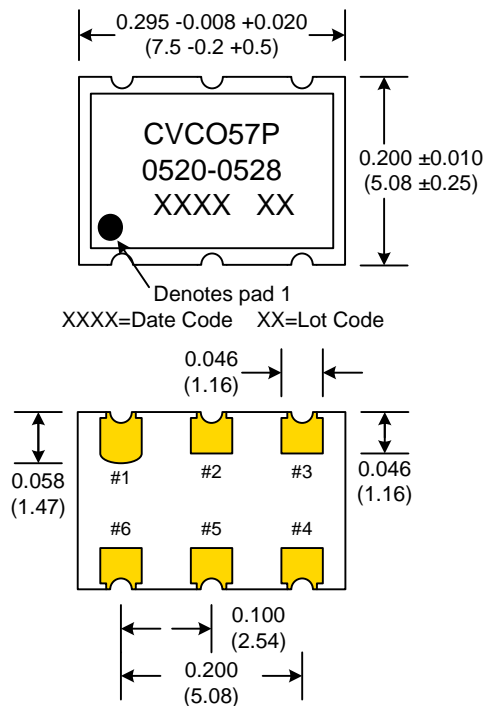
**CRYSTEK**  
**MICROWAVE**  
 A DIVISION OF CRYSTEK CORPORATION

# Voltage Controlled Oscillator-VCO

## CVCO57P-0520-0528

### 3.3V LVPECL

PERFORMANCE SPECIFICATION	MIN	TYP	MAX	UNITS
Lower Frequency:			520	MHz
Upper Frequency:	528			MHz
Tuning Voltage:	0		3.3	VDC
Supply Voltage:	3.0	3.3	3.6	VDC
Supply Current:		82		mA
Output High Voltage, $V_{OH}$ :	2.215		2.420	V
Output Low Voltage, $V_{OL}$ :	1.470		1.745	V
Enable High Voltage, $V_{IH}$ :	2.0		$V_{CC}$	V
Enable Low Voltage, $V_{IL}$ :	GND		0.8	V
Enable High Current, $I_{IH}$ :			+150	$\mu$ A
Enable Low Current, $I_{IL}$ :			-150	$\mu$ A
Duty Cycle:	45	50	55	%
Rise/Fall Times: tr/tf 20-80%:	100		240	ps
Pushing:		0.5		MHz/V
Pulling, all Phases:		0.5		MHz pk-pk
Tuning Sensitivity:		12		MHz/V
Phase Noise @ 10kHz offset:		-108		dBc/Hz
Load Impedance:		50		$\Omega$
Input Capacitance:			47	pF
Operating Temperature Range:	-40		+85	$^{\circ}$ C
Storage Temperature Range:	-45		+90	$^{\circ}$ C



Pad	Connection
1	Tuning Voltage
2	E/D
3	GND
4	OUT
5	COU
6	Vdd

- Unless otherwise specified, Dimensions are in: IN (mm)
- Pad Location Dimensions are in: Inches

#### Product Control:

Crystek Part Number:	CVCO57P-0520-0528	Release Date:	12-Oct-11
Revision Level:	C	Responsible:	C. Vales



**CRYSTEK**  
CORPORATION

1 2730 COMMONWEALTH DRIVE • FORT MYERS, FLORIDA 33913  
 PHONE: 239-561-3311 • 800-237-3061  
 FAX: 239-561-1025 • WWW.CRYSTEK.COM