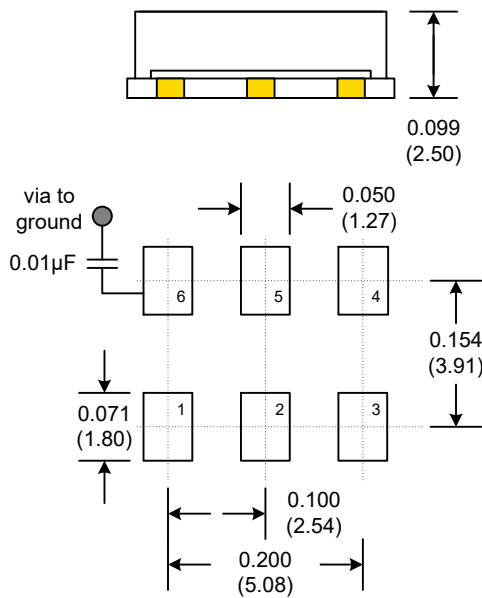
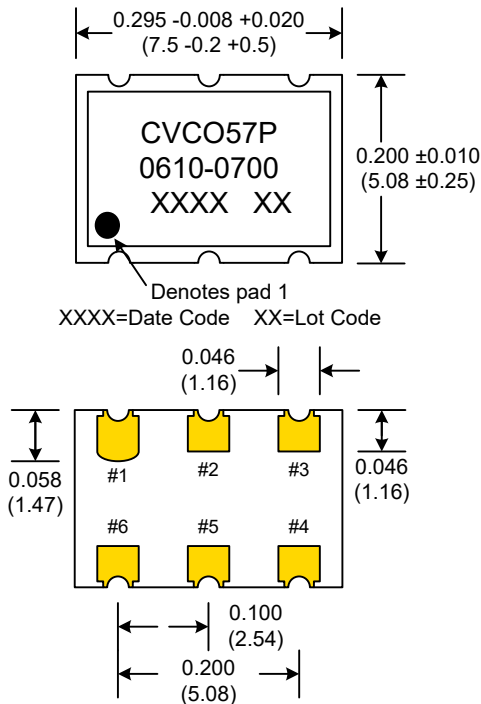




PERFORMANCE SPECIFICATION	MIN	TYP	MAX	UNITS
Lower Frequency:			610	MHz
Upper Frequency:	700			MHz
Tuning Voltage:	0		3.3	VDC
Supply Voltage:	3.0	3.3	3.6	VDC
Supply Current:		82		mA
Output High Voltage, V_{OH} :	2.215		2.420	V
Output Low Voltage, V_{OL} :	1.470		1.745	V
Enable High Voltage, V_{IH} :	2.0		V_{CC}	V
Enable Low Voltage, V_{IL} :	GND		0.8	V
Enable High Current, I_{IH} :			+150	μ A
Enable Low Current, I_{IL} :			-150	μ A
Duty Cycle: @ zero crossing point	45	50	55	%
Rise/Fall Times: tr/tf 20-80%:	100		240	ps
Pushing:		0.5		MHz/V
Pulling, all Phases:		0.5		MHz pk-pk
Tuning Sensitivity:		12		MHz/V
Phase Noise @ 10kHz offset:		-104		dBc/Hz
Load Impedance:		50		Ω
Input Capacitance:			47	pF
Operating Temperature Range:	-40		+85	$^{\circ}$ C
Storage Temperature Range:	-45		+90	$^{\circ}$ C



Pad	Connection
1	Tuning Voltage
2	E/D
3	GND
4	OUT
5	COU T
6	Vdd

- Unless otherwise specified, Dimensions are in: $\frac{IN}{(mm)}$
- Pad Location Dimensions are in: Inches

Specifications subject to change without notice.

Product Control:

Crystek Part Number:	CVCO57P-0610-0700	Release Date:	20-Jan-2017
Revision Level:	F	Responsible:	C. Vales

