



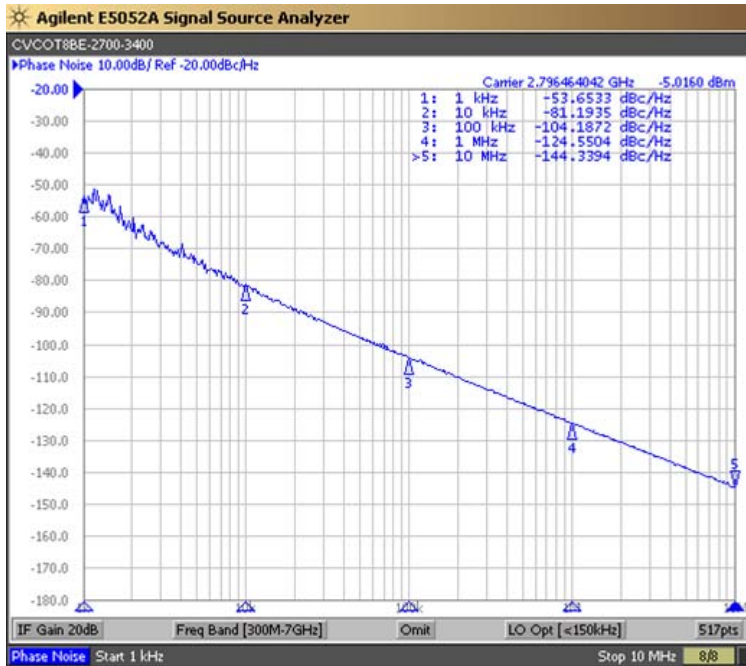
PERFORMANCE SPECIFICATION	MIN	TYP	MAX	UNITS
Lower Frequency:			2700	MHz
Upper Frequency:	3400			MHz
Tuning Voltage:	1.0		10.0	VDC
Supply Voltage:	10.67	11.0	11.33	VDC
Output Power:	+8	+10	+12	dBm
Supply Current:			60	mA
Harmonic Suppression (2 nd Harmonic):			-12	dBc
Pushing:		10.0		MHz/V
Pulling, all Phases:		25.0		MHz pk-pk
Tuning Sensitivity:		120		MHz/V
Phase Noise @ 10kHz offset:		-85		dBc/Hz
Phase Noise @ 100kHz offset:		-105		dBc/Hz
Load Impedance:		50		Ω
Input Capacitance:			200	pF
Operating Temperature Range:	-40		+85	°C
Storage Temperature Range:	-45		+90	°C

Special Features:

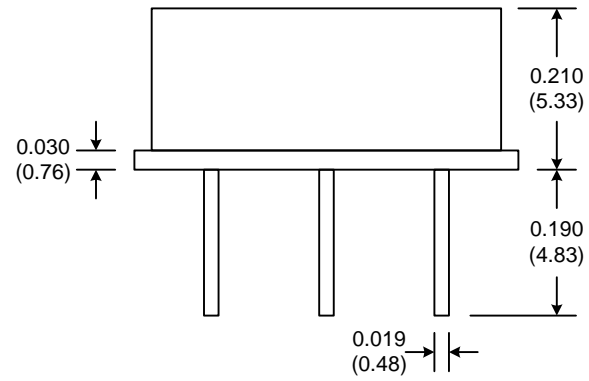
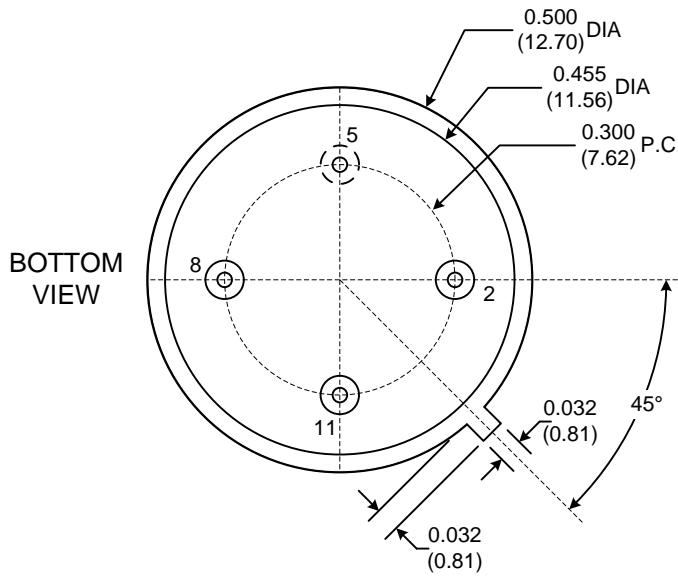
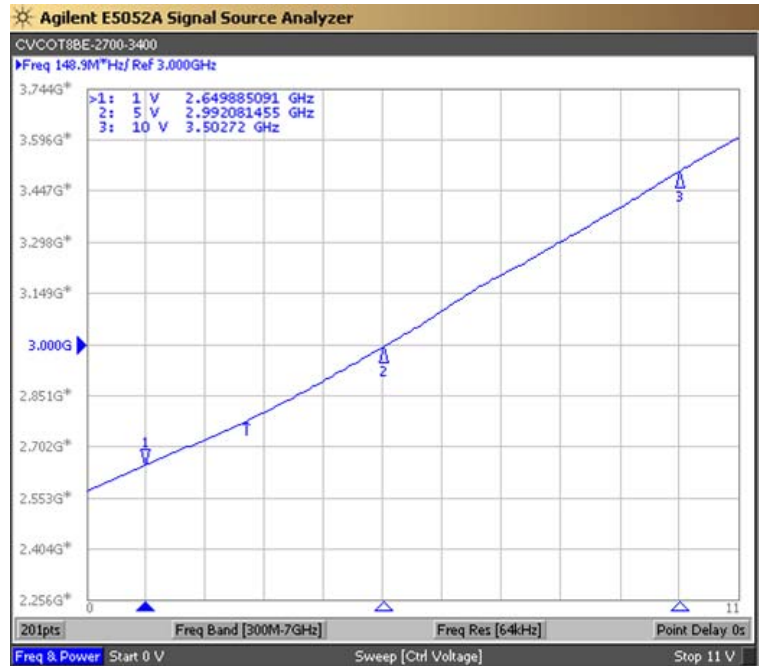
- No Internal Wire Bonds
- Resistance Welded for Hermetic Seal
- Low Phase Noise
- Gold Plated Pins



Phase Noise (1 Hz BW, Typical)



Tuning Curve (Typical)



Pad	Connection
2	RF-OUTPUT
5	GROUND
8	Vt
11	Vcc

● Unless otherwise specified,
Dimensions are in: IN (mm)

Product Control:

Crystek Part Number:	CVCOT8BE-2700-3400	Release Date:	16-Dec-10
Revision Level:	B	Responsible:	C. Vales

Specification is subject to change without notice