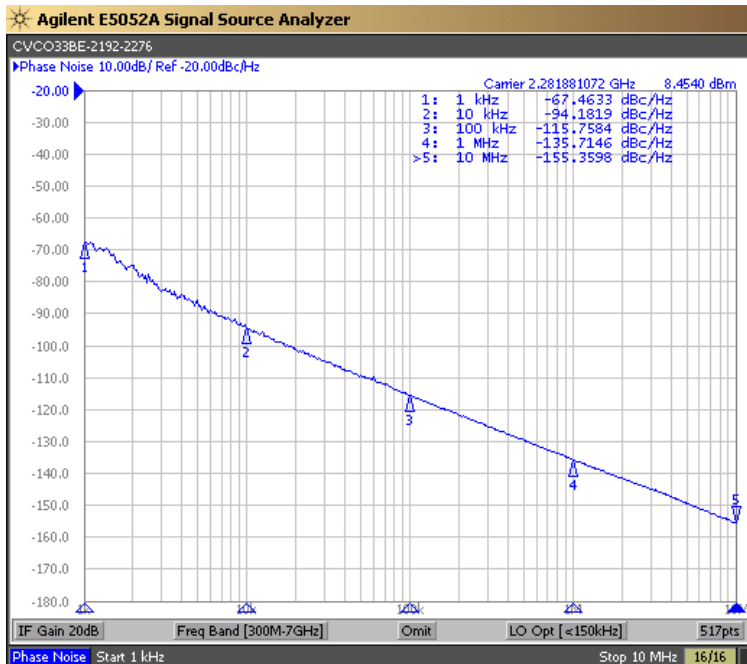


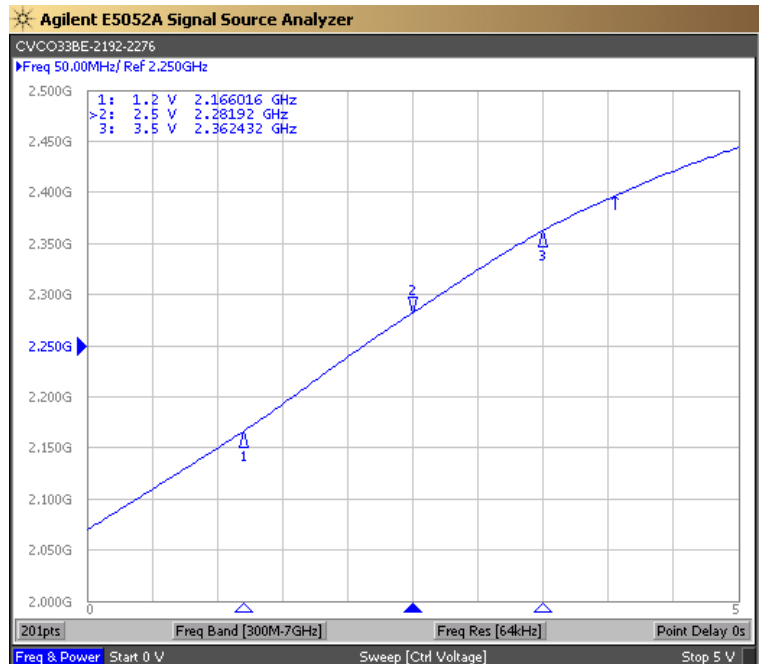


| PERFORMANCE SPECIFICATION | MIN | TYP | MAX | UNITS |
|--|------|------|-------|--------------------|
| Lower Frequency: | | | 2192 | MHz |
| Upper Frequency: | 2276 | | | MHz |
| Tuning Voltage: | 1.2 | | 3.5 | VDC |
| Supply Voltage: | 4.75 | 5.0 | 5.25 | VDC |
| Output Power: | +5.0 | +8.0 | +11.0 | dBm |
| Supply Current: | | 18 | 25 | mA |
| Harmonic Suppression (2 nd Harmonic): | | | -8 | dBc |
| Pushing: | | 10 | 15 | MHz/V |
| Pulling, all Phases: | | 25 | 30 | MHz pk-pk |
| Tuning Sensitivity: | | 70 | | MHz/V |
| Phase Noise @ 10kHz offset: | | -94 | | dBc/Hz |
| Load Impedance: | | 50 | | Ω |
| Input Capacitance: | | | 10 | pF |
| Operating Temperature Range: | -40 | | +85 | $^{\circ}\text{C}$ |
| Storage Temperature Range: | -45 | | +90 | $^{\circ}\text{C}$ |

Phase Noise (1 Hz BW, Typical)



Tuning Curve (Typical)

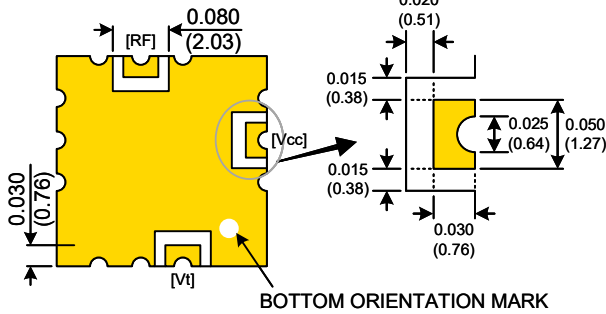


Product Control:

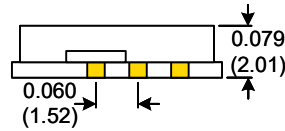
| | | | |
|----------------------|--------------------|---------------|-------------|
| Crystek Part Number: | CVCO33BE-2192-2276 | Release Date: | 21-May-2025 |
| Revision Level: | E | Responsible: | C. Vales |

Gold Finish

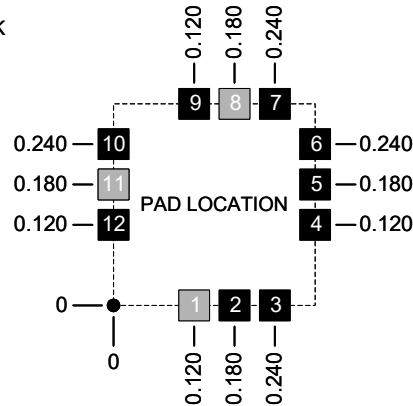
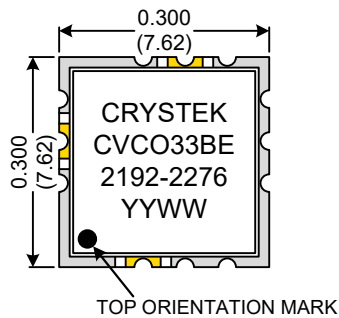
BOTTOM VIEW



SIDE VIEW



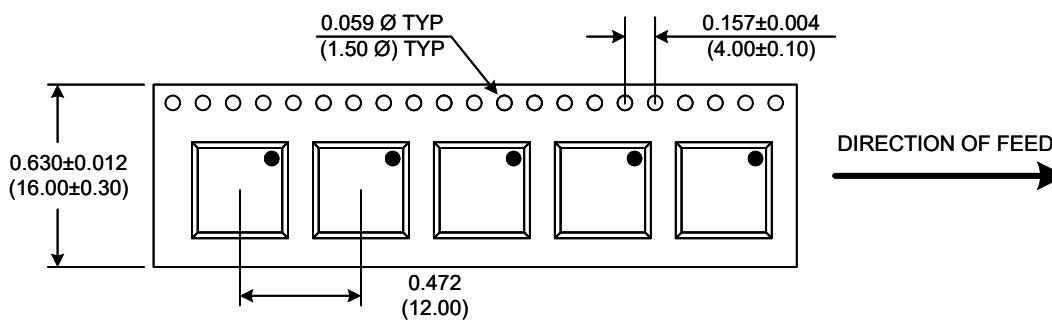
TOP VIEW



| Pad | Connection |
|--------|------------|
| 1 | Vt |
| 8 | RF-OUTPUT |
| 11 | Vcc |
| Others | GROUND |

- Unless otherwise specified, Dimensions are in: IN (mm)
- Pad Location Dimensions are in: Inches

TAPE AND REEL



Drawing not to scale

Product Control:

| | | | |
|----------------------|--------------------|---------------|-------------|
| Crystek Part Number: | CVCO33BE-2192-2276 | Release Date: | 21-May-2025 |
| Revision Level: | E | Responsible: | C. Vales |

Crystek Corporation reserves the right to make changes to its products and/or information contained herein without notice. No liability is assumed as a result of its use or application.