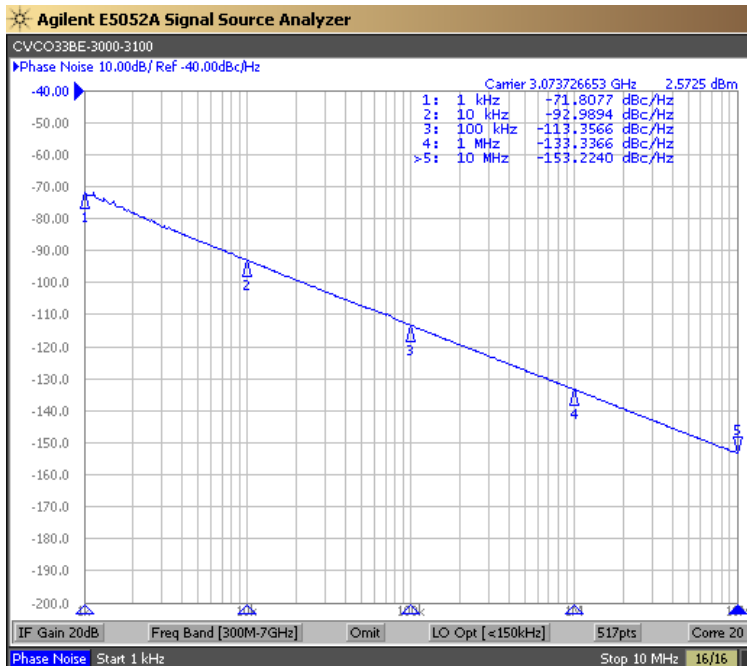


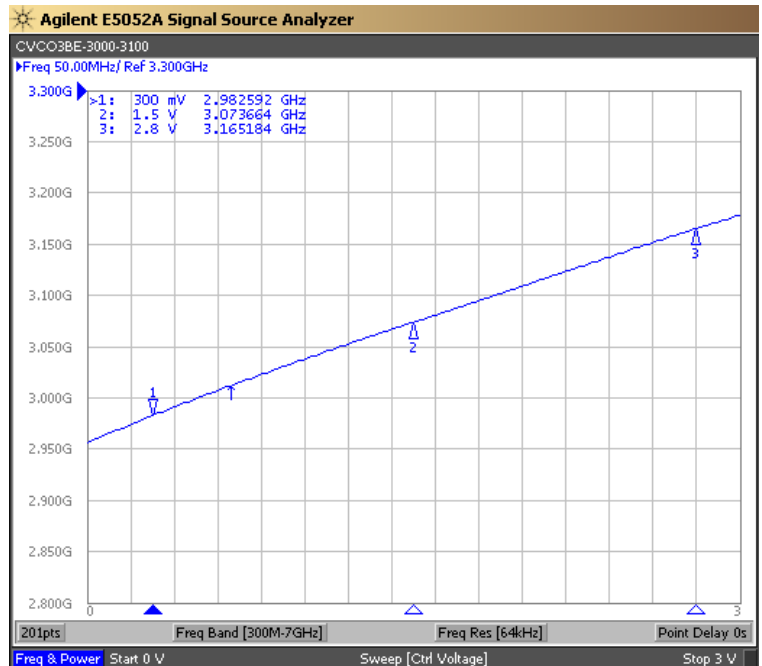


PERFORMANCE SPECIFICATION	MIN	TYP	MAX	UNITS
Lower Frequency:			3000	MHz
Upper Frequency:	3100			MHz
Tuning Voltage:	0.3		2.8	VDC
Supply Voltage:	2.85	3.0	3.15	VDC
Output Power:	-2.0	+3.0	+8.0	dBm
Supply Current:		26	30	mA
Harmonic Suppression (2 <sup>nd</sup> Harmonic):		-15	-10	dBc
Pushing:		1.0		MHz/V
Pulling, all Phases:		6.0		MHz pk-pk
Tuning Sensitivity:		40		MHz/V
Phase Noise @ 10kHz offset:		-90	-85	dBc/Hz
Phase Noise @ 100kHz offset:		-110	-105	dBc/Hz
Load Impedance:		50		$\Omega$
Input Capacitance:			22	pF
Operating Temperature Range:	-40		+85	$^{\circ}\text{C}$
Storage Temperature Range:	-45		+90	$^{\circ}\text{C}$

### Phase Noise (1 Hz BW, Typical)



### Tuning Curve (Typical)

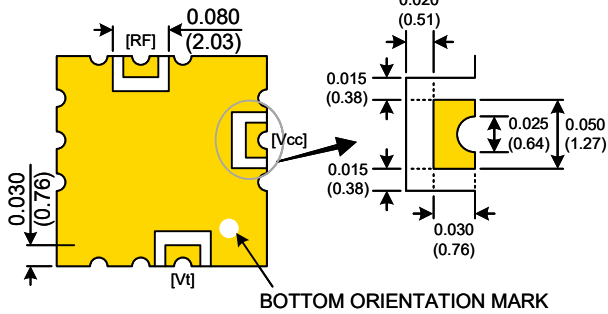


#### Product Control:

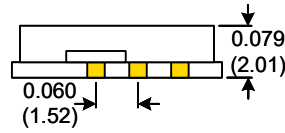
Crystek Part Number:	CVCO33BE-3000-3100	Release Date:	10-Jun-2025
Revision Level:	E	Responsible:	C. Vales

Gold Finish

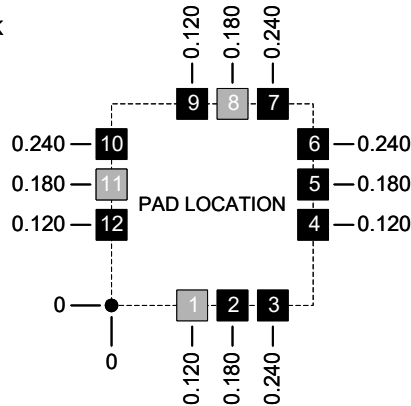
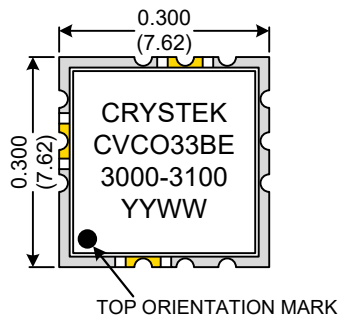
**BOTTOM VIEW**



**SIDE VIEW**



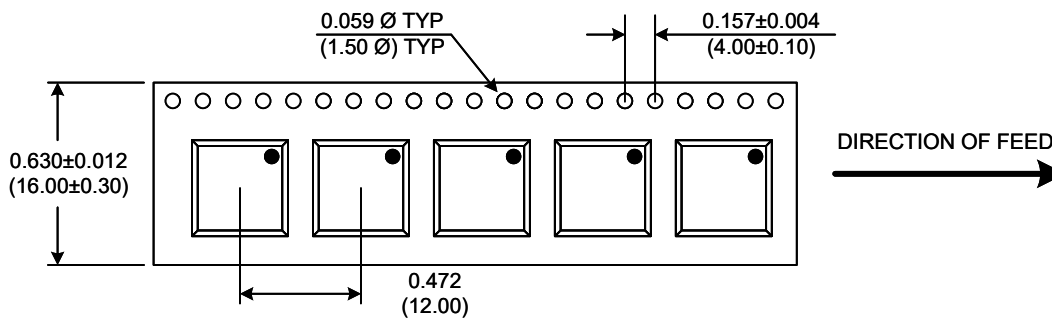
**TOP VIEW**



Pad	Connection
1	Vt
8	RF-OUTPUT
11	Vcc
Others	GROUND

- Unless otherwise specified, Dimensions are in: IN (mm)
- Pad Location Dimensions are in: Inches

**TAPE AND REEL**



Drawing not to scale

**Product Control:**

Crystek Part Number:	CVCO33BE-3000-3100	Release Date:	10-Jun-2025
Revision Level:	E	Responsible:	C. Vales

Crystek Corporation reserves the right to make changes to its products and/or information contained herein without notice. No liability is assumed as a result of its use or application.