

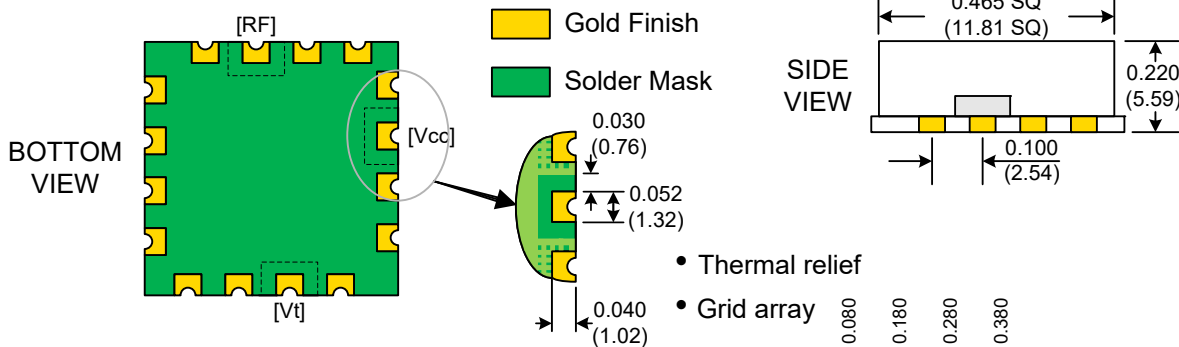


CRYSTEK
MICROWAVE
A DIVISION OF CRYSTEK CORPORATION

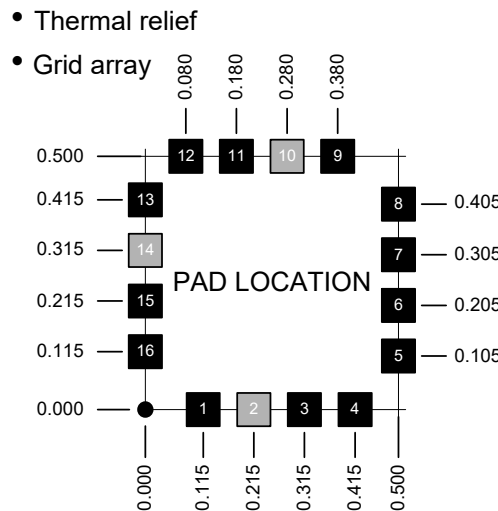
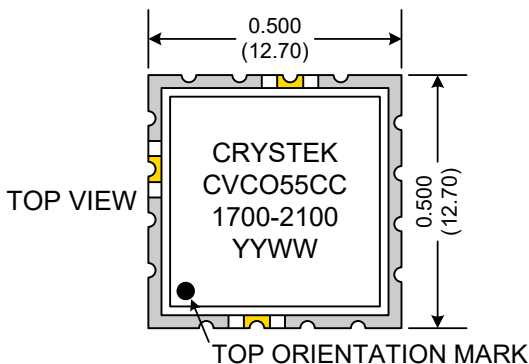
Coaxial Resonator Oscillator-CRO

CVCO55CC-1700-2100

PERFORMANCE SPECIFICATION	MIN	TYP	MAX	UNITS
Lower Frequency:			1700	MHz
Upper Frequency:	2100			MHz
Tuning Voltage:	0		15.0	VDC
Supply Voltage:	5.7	6.0	6.3	VDC
Output Power:	+5.0	+7.0	+9.0	dBm
Supply Current:		27		mA
Harmonic Suppression: (2 nd Harmonic)		-15	-10	dBc
Pushing:		0.3	1.0	MHz/V
Pulling, all Phases:		1.0	2.0	MHz pk-pk
Tuning Sensitivity:		33		MHz/V
Phase Noise @ 1kHz offset:		-83	-77	dBc/Hz
Phase Noise @ 10kHz offset:		-108	-103	dBc/Hz
Phase Noise @ 100kHz offset:		-128	-123	dBc/Hz
Phase Noise @ 1MHz offset:		-148	-143	dBc/Hz
Phase Noise @ 10MHz offset:		-164	-155	dBc/Hz
Load Impedance:		50		Ω
Input Capacitance:		10		pF
Operating Temperature Range:	-40		+85	°C
Storage Temperature Range:	-45		+90	°C



Pad	Connection
2	Vt
10	RF-OUTPUT
14	Vcc
Others	GROUND



● Unless otherwise specified, Dimensions are in: IN (mm)

● Pad Location Dimensions are in: Inches



Product Control:

Crystek Part Number:	CVCO55CC-1700-2100	Release Date:	09-Jul-2017
Revision Level:	A	Responsible:	C. Vales



CRYSTEK
CORPORATION

1 2730 COMMONWEALTH DRIVE • FORT MYERS, FLORIDA 33913
 PHONE: 239-561-3311 • 800-237-3061
 FAX: 239-561-1025 • WWW.CRYSTEK.COM