



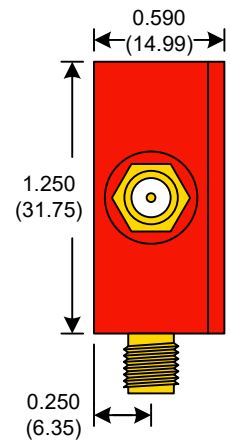
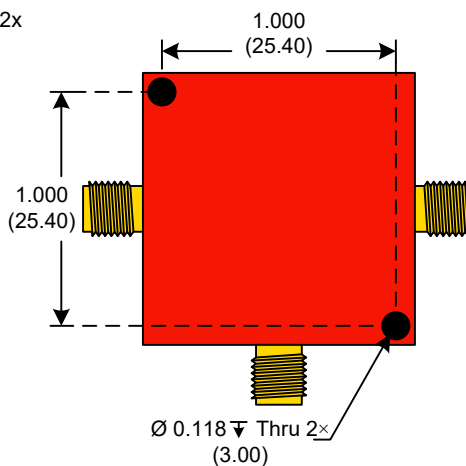
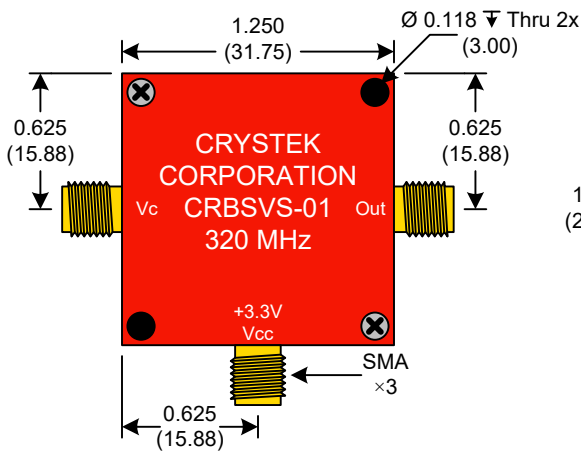
Frequency: 320.000 MHz
Temperature Range: 0°C to 70°C
Input Voltage: +3.3 V ±5%
Input Current: 50 mA Max
Control Voltage Range: 0V to 3.3V
Tuning Sensitivity (Kv): +25 ppm/V Typical
Modulation Bandwidth: >10 kHz @ -3 dB
Settability At Nominal (25°C): 1.4V to 1.9V
Output: TrueSineWave
 Pullability APR: ±20ppm Typical
 Linearity: ±20% Max
 Output Power: +4 dBm Min, +8 dBm Typical
 Start-up Time: 2 ms Typical, 5 ms Max
 Load: 50 Ω
2nd Harmonic: -20 dBc Typical
Sub-Harmonics: -48 dBc Typical
Phase Noise Typical: 10 Hz -62 dBc/Hz
 100 Hz -97 dBc/Hz
 1 kHz -126 dBc/Hz
 10 kHz -142 dBc/Hz
 100 kHz -147 dBc/Hz
Aging: <3 ppm 1st year, <1 ppm every year thereafter



FRONT

BACK

SIDE



● Unless otherwise specified, Dimensions are in: $\frac{IN}{(mm)}$

Product Control:

Crystek Part Number:	CRBSVS-01-320.000	Release Date:	19-Jan-2023
Revision Level:	A	Responsible:	C. Vales

Crystek Corporation reserves the right to make changes to its products and/or information contained herein without notice. No liability is assumed as a result of its use or application.