



CRYSTEK
MICROWAVE
 A DIVISION OF CRYSTEK CORPORATION

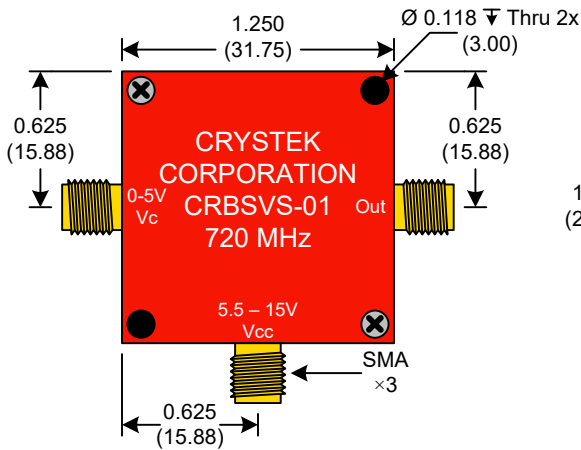
RedBox SOURCE
 CRBSVS-01-720.000



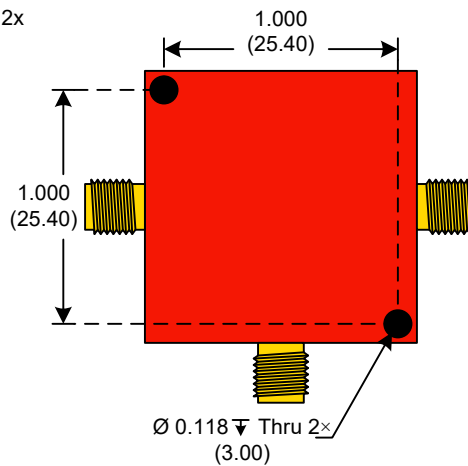
Frequency: 720.000 MHz
Temperature Range: -20°C to 70°C
Input Voltage: +5.5 V to +15 V
Input Current: 50 mA Max
Control Voltage Range: 0V to 5.0V
Tuning Sensitivity (Kv): +120 ppm/V Typical
Settability At Nominal (25°C): 0.7V to 2.0V
Output: TrueSineWave
 Frequency Stability: ±150ppm Typical
 Output Power: +8 dBm Min
 Start-up Time: 2 ms Typical, 5 ms Max
 Load: 50 Ω
2nd Harmonic: -15 dBc Max, -20 dBc Typical
Sub-Harmonics: None
Phase Noise Typical: 1 kHz -100 dBc/Hz
 10 kHz -132 dBc/Hz
 100 kHz -145 dBc/Hz
 1 MHz -155 dBc/Hz
 10 MHz -160 dBc/Hz
 20 MHz -166 dBc/Hz
Aging: <5 ppm 1st year, <1 ppm every year thereafter



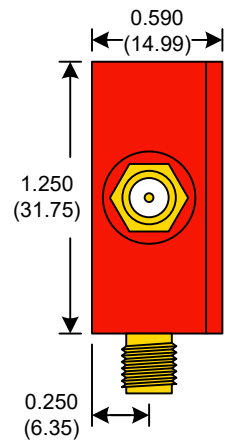
FRONT



BACK



SIDE



● Unless otherwise specified, Dimensions are in: $\frac{IN}{(mm)}$

Product Control:			
Crystek Part Number:	CRBSVS-01-720.000	Release Date:	22-Aug-2017
Revision Level:	D	Responsible:	C. Vales



1 2730 COMMONWEALTH DRIVE • FORT MYERS, FLORIDA 33913
 PHONE: 239-561-3311 • 800-237-3061
 FAX: 239-561-1025 • WWW.CRYSTEK.COM