



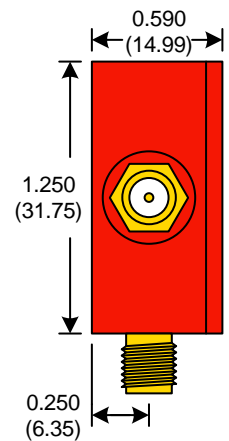
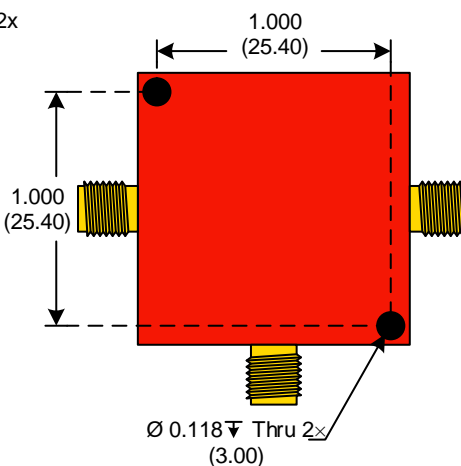
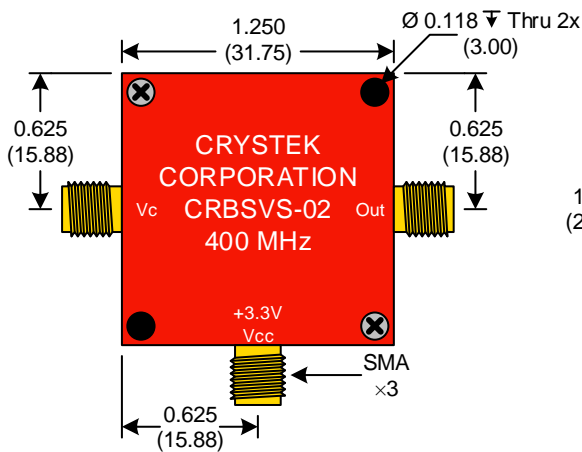
Frequency: 400.000 MHz
Temperature Range: -20°C to 70°C
Input Voltage: +3.3 V ±5%
Input Current: 30 mA Max
Control Voltage Range: 0V to 3.3V
Tuning Sensitivity (Kv): +250 ppm/V Typical
Modulation Bandwidth: >10 kHz @ -3 dB
Settability At Nominal (25°C): 0.8V to 2.0V
Output: TrueSineWave
 Pullability APR: ±20ppm Typical
 Linearity: ±20% Max
 Output Power: +5 dBm Min, +7 dBm Typical
 Start-up Time: 2 ms Typical, 5 ms Max
 Load: 50 Ω
2nd Harmonic: -12 dBc Typical
Sub-Harmonics: None
Phase Noise Typical: 1 kHz -120 dBc/Hz
 10 kHz -145 dBc/Hz
 100 kHz -155 dBc/Hz
 1 MHz -160 dBc/Hz
 10 MHz -165 dBc/Hz
Aging: <3 ppm 1st year, <1 ppm every year thereafter



FRONT

BACK

SIDE



● Unless otherwise specified, Dimensions are in: $\frac{IN}{(mm)}$

Product Control:

Crystek Part Number:	CRBSVS-02-400.000	Release Date:	27-Sep-2016
Revision Level:	B	Responsible:	C. Vales