

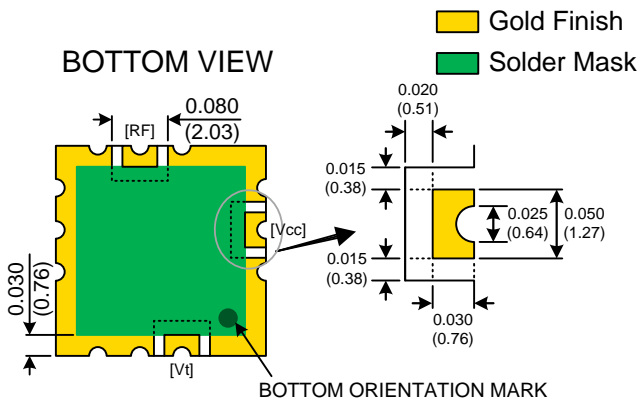


CRYSTEK
MICROWAVE
A DIVISION OF CRYSTEK CORPORATION

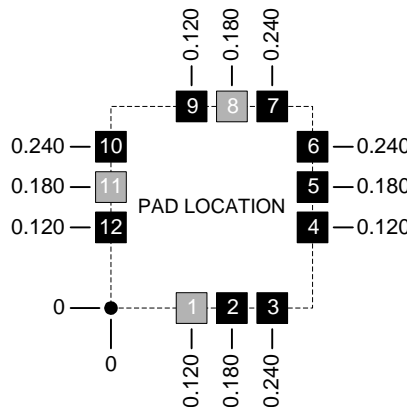
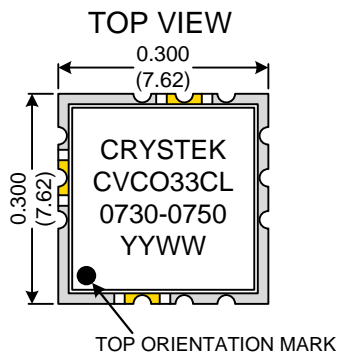
Voltage Controlled Oscillator-VCO

CVCO33CL-0730-0750

PERFORMANCE SPECIFICATION	MIN	TYP	MAX	UNITS
Lower Frequency:			730	MHz
Upper Frequency:	750			MHz
Tuning Voltage:	0.5		2.8	VDC
Supply Voltage:	3.135	3.3	3.465	VDC
Output Power:	-3.0	0	+3.0	dBm
Supply Current:			20	mA
Harmonic Suppression (2 nd Harmonic)		-10		dBc
Pushing:			3.0	MHz/V
Pulling, all Phases:			1.0	MHz pk-pk
Tuning Sensitivity:		18		MHz/V
Phase Noise @ 10kHz offset:		-110		dBc/Hz
Load Impedance:		50		Ω
Input Capacitance:			47	pF
Operating Temperature Range:	-40		+85	$^{\circ}$ C
Storage Temperature Range:	-45		+90	$^{\circ}$ C



Pad	Connection
1	Vt
8	RF-OUTPUT
11	Vcc
Others	GROUND



● Unless otherwise specified, Dimensions are in: $\frac{\text{IN}}{\text{mm}}$

● Pad Location Dimensions are in: Inches



Product Control:

Crystek Part Number:	CVCO33CL-0730-0750	Release Date:	16-Dec-2013
Revision Level:	B	Responsible:	C. Vales



CRYSTEK
CORPORATION

12730 COMMONWEALTH DRIVE • FORT MYERS, FLORIDA 33913
PHONE: 239-561-3311 • 800-237-3061
FAX: 239-561-1025 • WWW.CRYSTEK.COM