



PERFORMANCE SPECIFICATION	MIN	TYP	MAX	UNITS
Lower Frequency:			800	MHz
Upper Frequency:	1600			MHz
Tuning Voltage:	0.0		20.0	VDC
Supply Voltage:	14.75	15.0	15.25	VDC
Output Power:	+7.0	+10.0	+13.0	dBm
Supply Current:		15	20	mA
Harmonic Suppression (2 <sup>nd</sup> Harmonic):		-10		dBc
Pushing:		4.0	20.0	MHz/V
Pulling, all Phases:		20.0	27.0	MHz pk-pk
Tuning Sensitivity:		79		MHz/V
Phase Noise @ 10kHz offset:		-92	-81	dBc/Hz
Phase Noise @ 100kHz offset:		-120	-105	dBc/Hz
Load Impedance:		50		$\Omega$
Input Capacitance:			22	pF
Operating Temperature Range:	-40		+85	$^{\circ}$ C
Storage Temperature Range:	-45		+90	$^{\circ}$ C

**Special Features:**

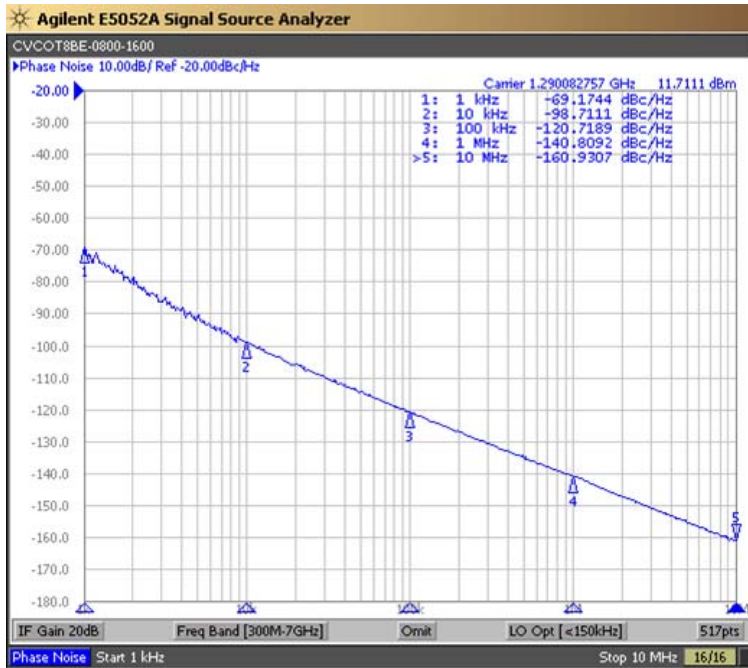
- No Internal Wire Bonds
- Resistance Welded for Hermetic Seal
- Low Phase Noise
- Gold Plated Pins



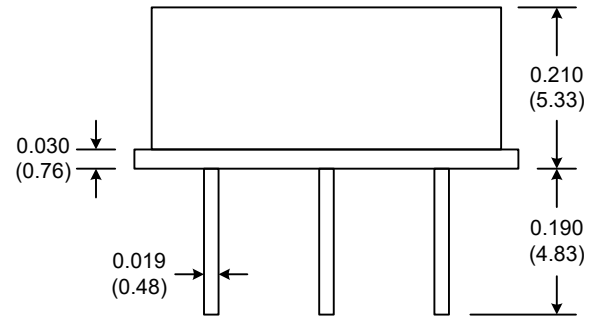
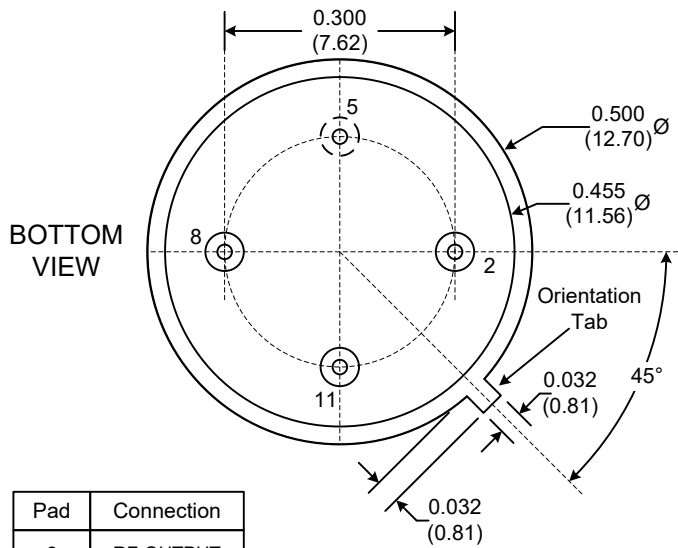
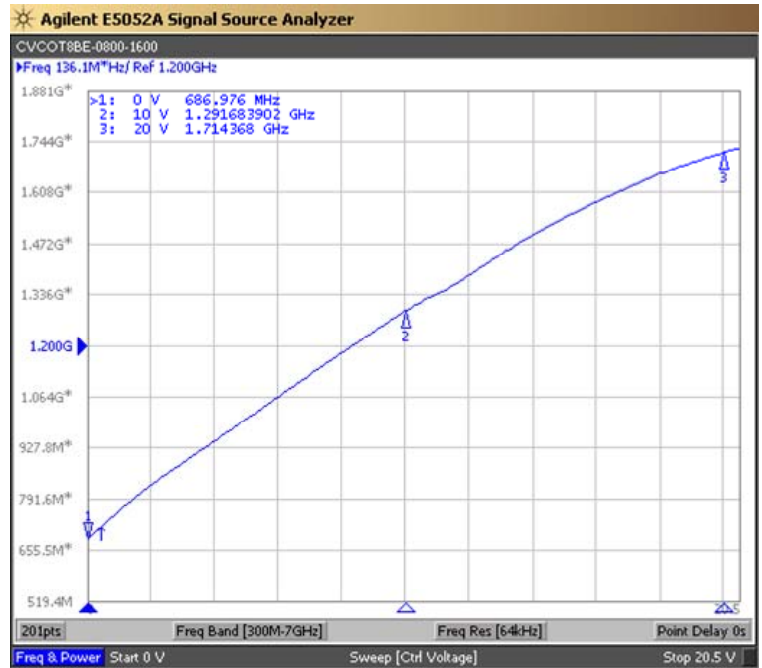
<b>Product Control:</b>			
Crystek Part Number:	CVCOT8BE-0800-1600	Release Date:	16-Aug-2019
Revision Level:	F	Responsible:	C. Vales



Phase Noise (1 Hz BW, Typical)



Tuning Curve (Typical)



Pad	Connection
2	RF-OUTPUT
5	GROUND
8	Vt
11	Vcc

- Unless otherwise specified, Dimensions are in: IN (mm)
- Orientation determined by tab, not by marking

**Product Control:**

Crystek Part Number:	CVCOT8BE-0800-1600	Release Date:	16-Aug-2019
Revision Level:	F	Responsible:	C. Vales

Specification is subject to change without notice