



PERFORMANCE SPECIFICATION	MIN	TYP	MAX	UNITS
Lower Frequency:			250	MHz
Upper Frequency:	500			MHz
Tuning Voltage:	0.0		20.0	VDC
Supply Voltage:	14.75	15.0	15.25	VDC
Output Power:	+8.0	+10.5	+13.0	dBm
Supply Current:			16	mA
Harmonic Suppression: (2 nd Harmonic)		-10		dBc
Pushing:		4.0		MHz/V
Pulling, all Phases:		10.0	13.0	MHz pk-pk
Tuning Sensitivity:		15		MHz/V
Phase Noise @ 10kHz offset:		-100	-94	dBc/Hz
Phase Noise @ 100kHz offset:		-123	-117	dBc/Hz
Load Impedance:		50		Ω
Input Capacitance:		220		pF
Operating Temperature Range:	-40		+85	$^{\circ}$ C
Storage Temperature Range:	-45		+90	$^{\circ}$ C

Special Features:

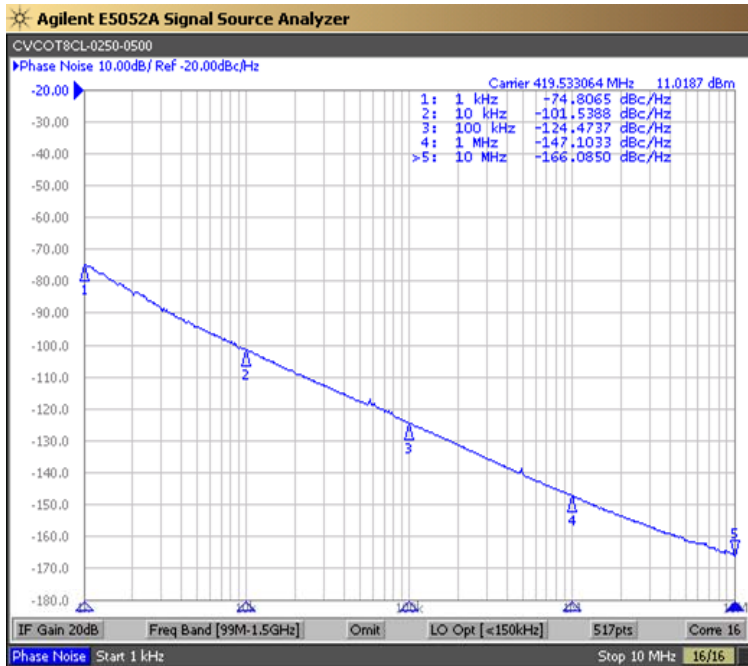
- No Internal Wire Bonds
- Resistance Welded for Hermetic Seal
- Low Phase Noise
- Gold Plated Pins



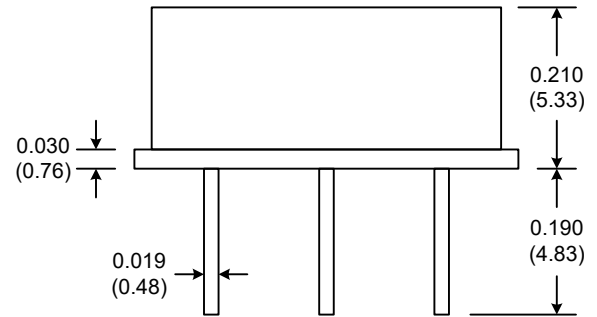
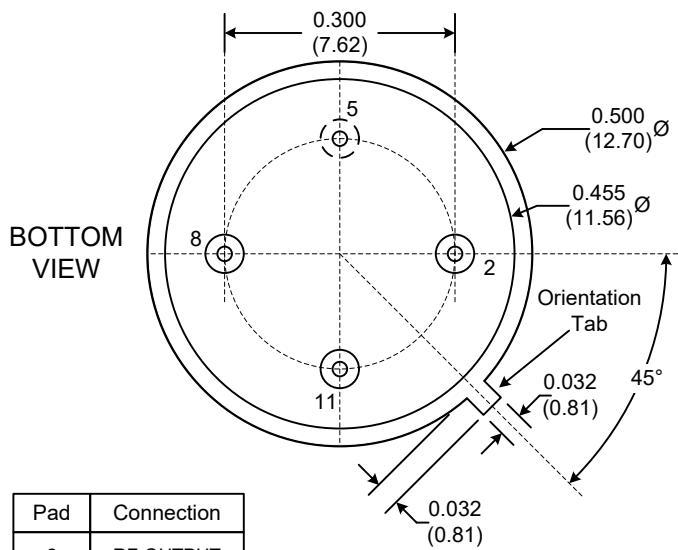
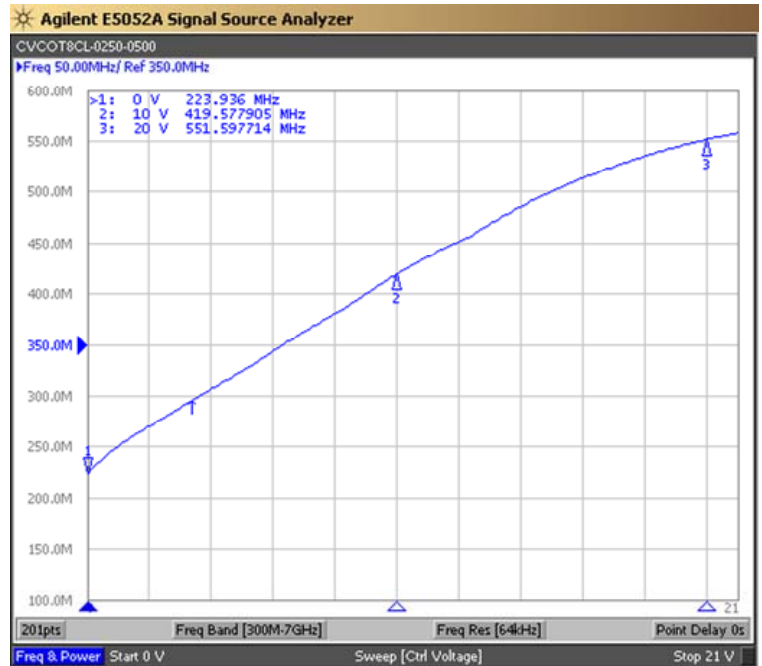
Product Control:			
Crystek Part Number:	CVCOT8CL-0250-0500	Release Date:	27-May-2020
Revision Level:	A	Responsible:	C. Vales



Phase Noise (1 Hz BW, Typical)



Tuning Curve (Typical)



- Unless otherwise specified, Dimensions are in: IN (mm)
- Orientation determined by tab, not by marking

Product Control:

Crystek Part Number:	CVCOT8CL-0250-0500	Release Date:	27-May-2020
Revision Level:	A	Responsible:	C. Vales

Crystek Corporation reserves the right to make changes to its products and/or information contained herein without notice. No liability is assumed as a result of its use or application.