



PERFORMANCE SPECIFICATION	MIN	TYP	MAX	UNITS
Lower Frequency:			150	MHz
Upper Frequency:	300			MHz
Tuning Voltage:	0.0		20.0	VDC
Supply Voltage:	14.75	15.0	15.25	VDC
Output Power:	+5.0	+10.0	+13.0	dBm
Supply Current:		10	15	mA
Harmonic Suppression (2 <sup>nd</sup> Harmonic):		-10		dBc
Pushing:		4.0		MHz/V
Pulling, all Phases:		5.0		MHz pk-pk
Tuning Sensitivity:		15		MHz/V
Phase Noise @ 10kHz offset:		-105		dBc/Hz
Phase Noise @ 100kHz offset:		-125		dBc/Hz
Load Impedance:		50		$\Omega$
Input Capacitance:		220		pF
Operating Temperature Range:	-40		+85	$^{\circ}$ C
Storage Temperature Range:	-45		+90	$^{\circ}$ C

**Special Features:**

- No Internal Wire Bonds
- Resistance Welded for Hermetic Seal
- Low Phase Noise
- Gold Plated Pins



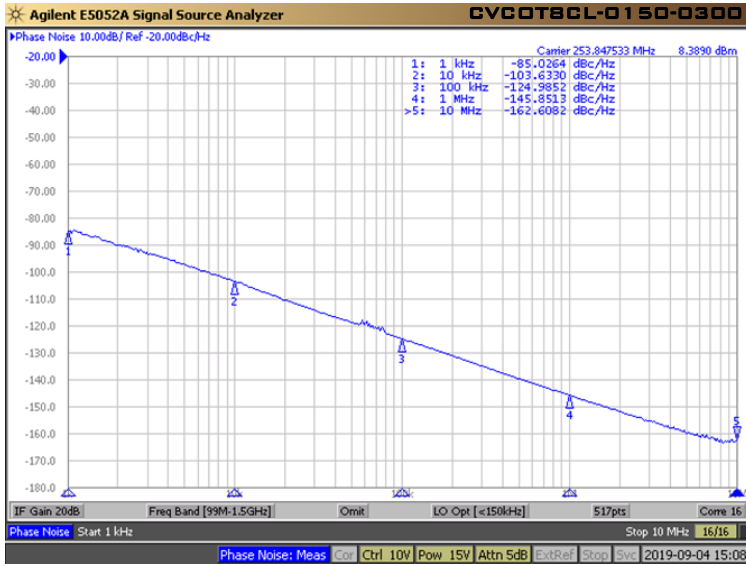
<b>Product Control:</b>			
Crystek Part Number:	CVCOT8CW-0150-0300	Release Date:	27-Oct-2021
Revision Level:	B	Responsible:	C. Vales



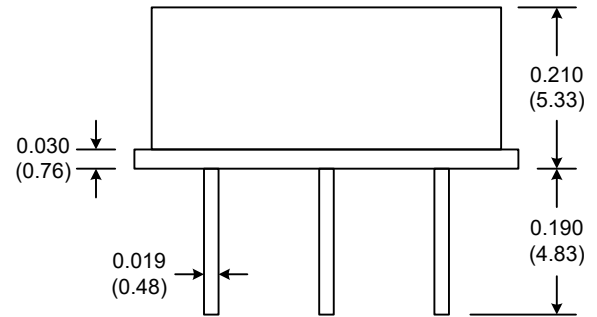
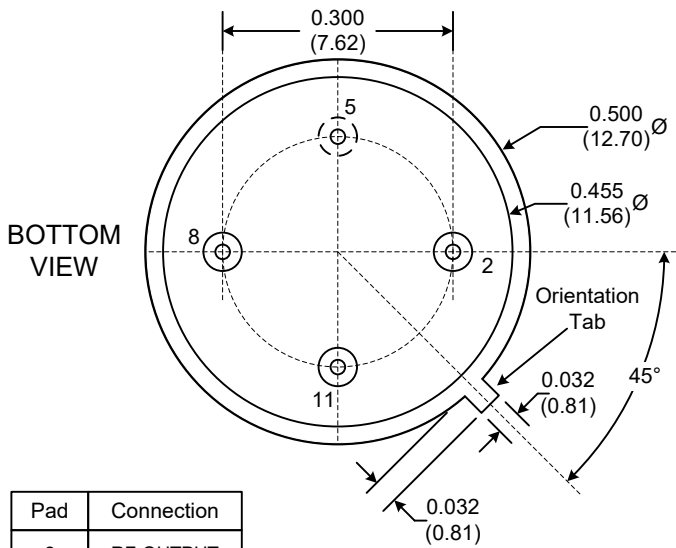
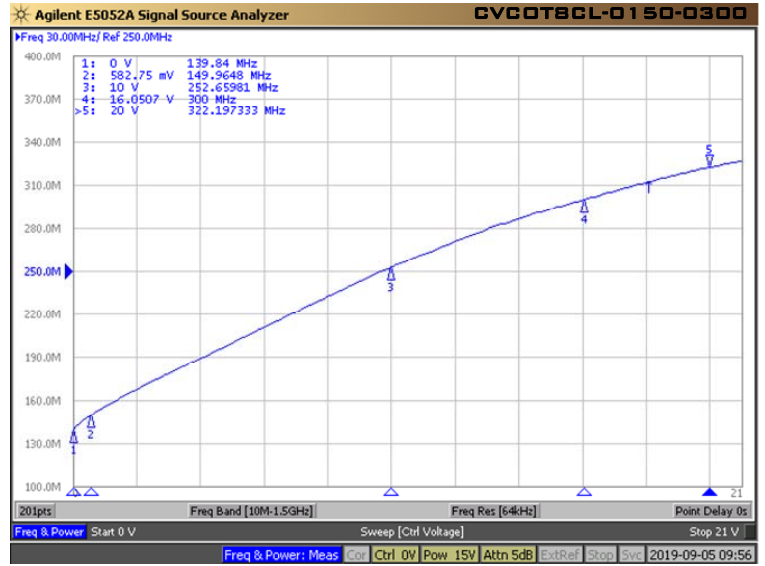
**CRYSTEK**  
**MICROWAVE**  
A DIVISION OF CRYSTEK CORPORATION

# Hermetic TO-8 VCO CVCOT8CW-0150-0300

Phase Noise (1 Hz BW, Typical)



Tuning Curve (Typical)



Pad	Connection
2	RF-OUTPUT
5	GROUND
8	Vt
11	Vcc

- Unless otherwise specified, Dimensions are in: IN (mm)
- Orientation determined by tab, not by marking

**Product Control:**

Crystek Part Number:	CVCOT8CW-0150-0300	Release Date:	27-Oct-2021
Revision Level:	B	Responsible:	C. Vales

Crystek Corporation reserves the right to make changes to its products and/or information contained herein without notice. No liability is assumed as a result of its use or application.