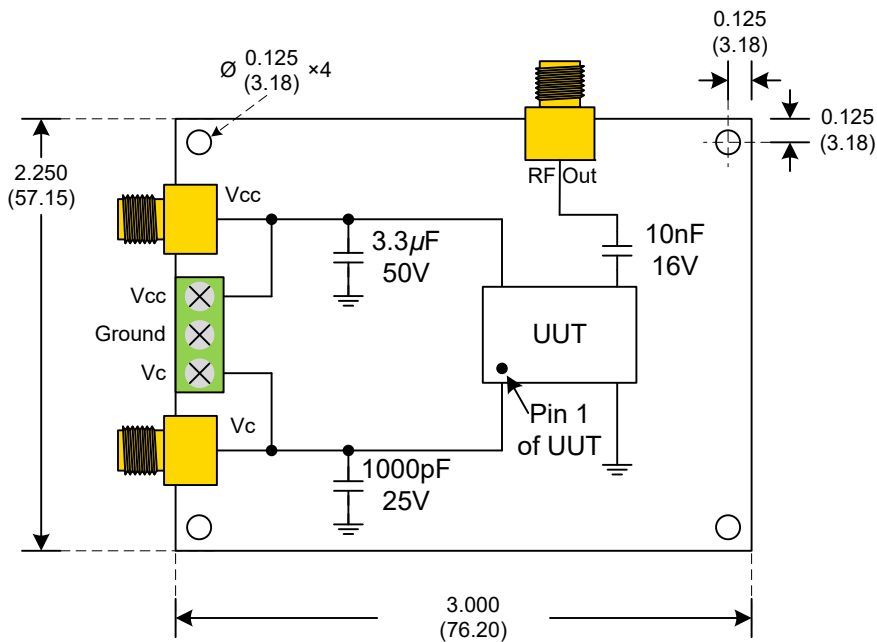
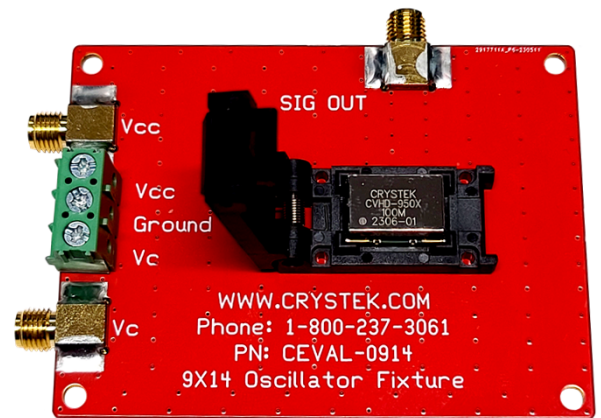
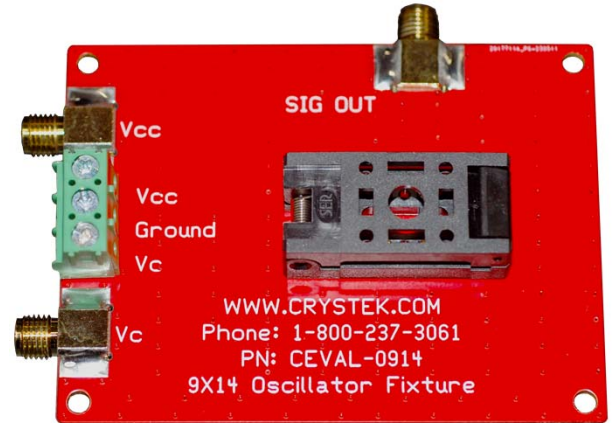


9x14mm Oscillator Evaluation Board



Unless otherwise specified,
Dimensions are in: $\frac{IN}{(mm)}$



Features:

Connectors: Gold Plated SMA Female Connectors

Frequency Range: up to 3 GHz

PCB: 0.062" FR4

Operating Temperature: -40°C to +85°C

Crystek's new fixture, "CEVAL-0914" was designed to test 9x14mm VCXOs, VCXOs, and CLOCK oscillators. It can test Sinewave or CMOS waveform output based oscillators without soldering the Unit Under Test (UUT). It uses a high-performance test socket capable of up to 3 GHz operation with minimal signal loss.

The CEVAL-0914 was designed with two methods to supply Power and Control voltages; Female SMAs or Terminal Screws.

The test socket will accommodate Crystek's 9x14mm SMD Model oscillators.

Oscillators with lower covers can be tested with an appropriate "shim". Caution must be taken with "shimming" as a very tight fit can damage the contact pins of the test socket.

Product Control:

| | | | |
|----------------------|------------|---------------|---------------|
| Crystek Part Number: | CEVAL-0914 | Release Date: | 17-Jul-2023 |
| Revision Level: | A | Responsible: | K. Piotrowicz |