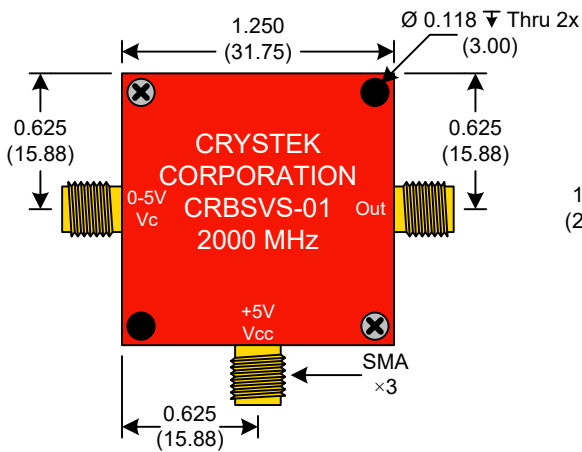




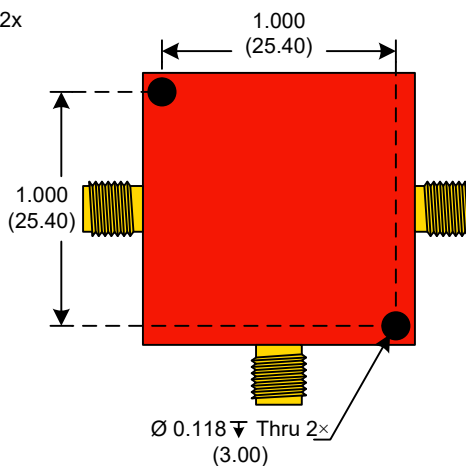
Frequency:	2000.000 MHz
Temperature Range:	-20°C to 70°C
Input Voltage:	+5.0 V
Input Current:	50 mA Max
Control Voltage Range:	0V to 5.0V
Tuning Sensitivity (Kv):	+120 ppm/V Typical
Settability At Nominal (25°C):	0.7V to 2.0V
Output:	TrueSineWave
Frequency Stability:	±150 ppm Typical
Output Power:	+7 dBm Min
Start-up Time:	2 ms Typical, 5 ms Max
Load:	50 Ω
2nd Harmonic:	-20 dBc Max
Sub-Harmonics:	-25 dBc Typical @ 1 GHz
Phase Noise Typical:	1 kHz -105 dBc/Hz
	10 kHz -130 dBc/Hz
	100 kHz -145 dBc/Hz
	1 MHz -158 dBc/Hz
	10 MHz -164 dBc/Hz
	20 MHz -166 dBc/Hz
Aging:	<5 ppm 1 st year, <1 ppm every year thereafter



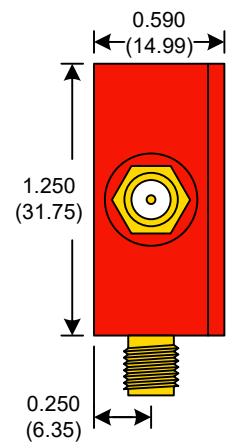
FRONT



BACK



SIDE

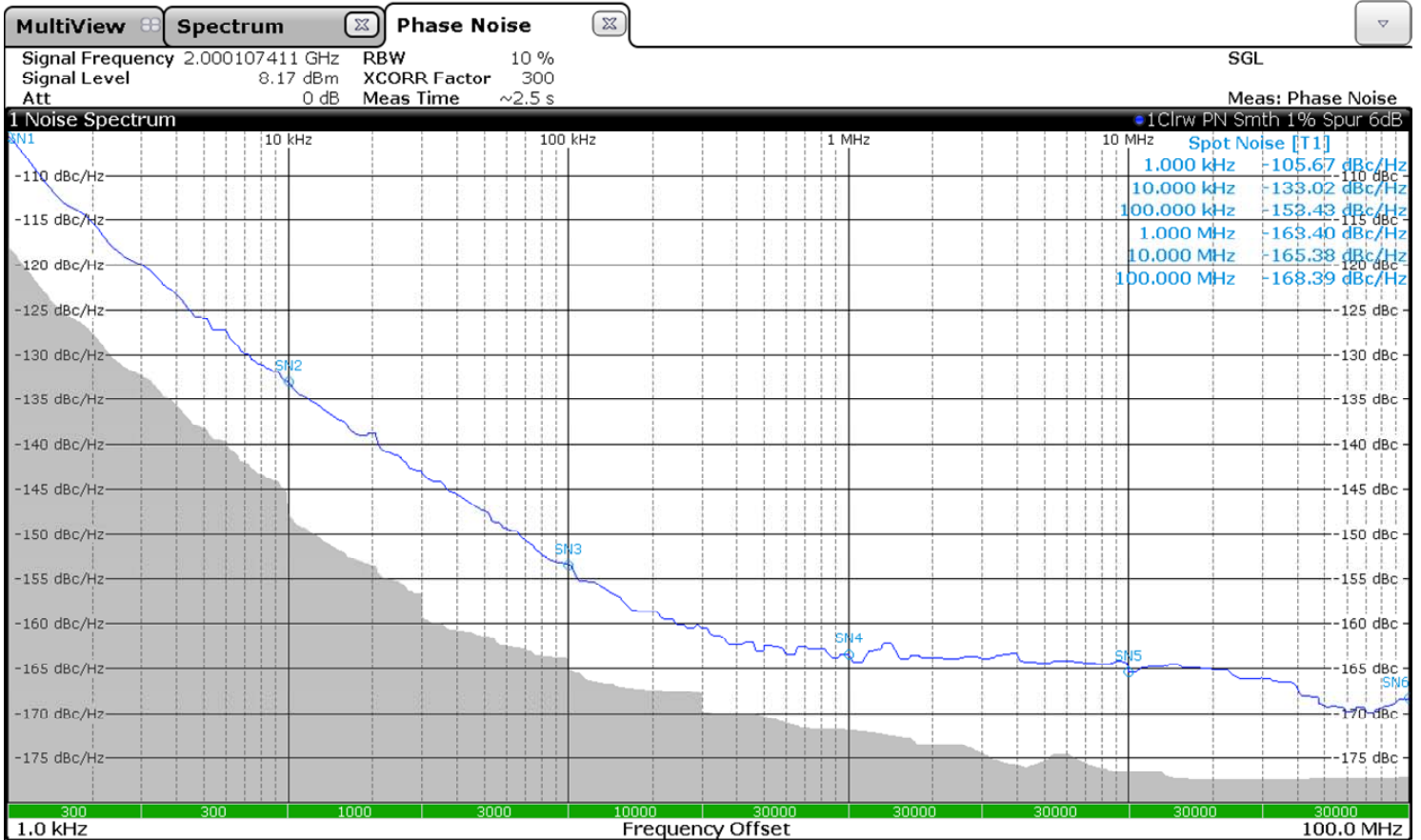


● Unless otherwise specified, Dimensions are in: $\frac{\text{IN}}{(\text{mm})}$

Product Control:			
Crystek Part Number:	CRBSVS-01-2000.000	Release Date:	27-Mar-2023
Revision Level:	C	Responsible:	C. Vales



Phase Noise (1 Hz BW, Typical)



Product Control:

Crystek Part Number:	CRBSVS-01-2000.000	Release Date:	27-Mar-2023
Revision Level:	C	Responsible:	C. Vales

Crystek Corporation reserves the right to make changes to its products and/or information contained herein without notice. No liability is assumed as a result of its use or application.