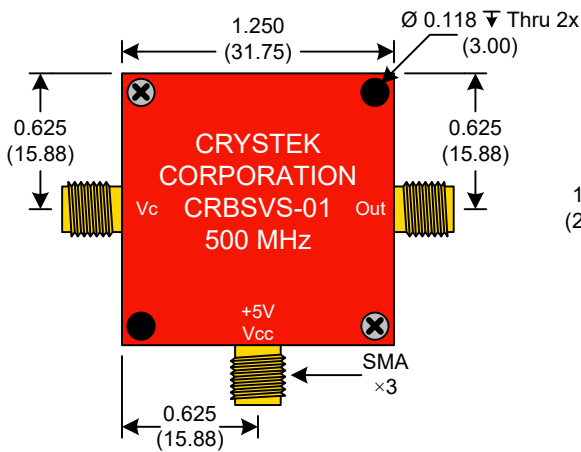




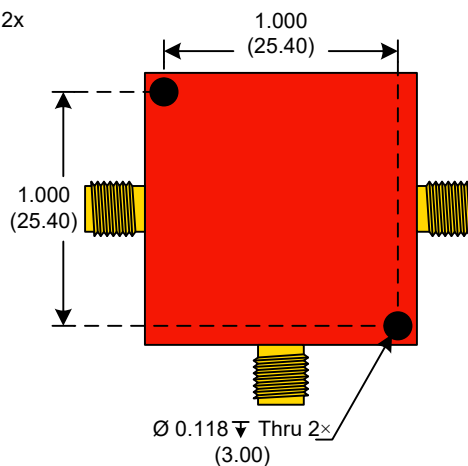
Frequency: 500.000 MHz
Temperature Range: 0°C to 60°C
Input Voltage: +5.0 V
Input Current: 50 mA Max
Control Voltage Range: 0V to 5.0V
Tuning Sensitivity (Kv): +120 ppm/V Typical
Settability At Nominal (25°C): 0.7V to 2.0V
Output: TrueSineWave
 Frequency Stability: ±150ppm Typical
 Output Power: +10 dBm Min
 Start-up Time: 2 ms Typical, 5 ms Max
 Load: 50 Ω
2nd Harmonic: -20 dBc Max
Sub-Harmonics: None
Phase Noise Typical: 1 kHz -115 dBc/Hz
 10 kHz -140 dBc/Hz
 100 kHz -155 dBc/Hz
 1 MHz -165 dBc/Hz
Aging: <5 ppm 1st year, <1 ppm every year thereafter



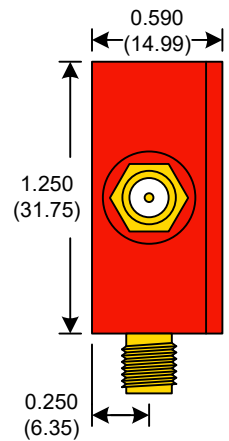
FRONT



BACK



SIDE



● Unless otherwise specified, Dimensions are in: $\frac{IN}{(mm)}$

Product Control:			
Crystek Part Number:	CRBSVS-01-500.000	Release Date:	16-Mar-2017
Revision Level:	A	Responsible:	C. Vales