



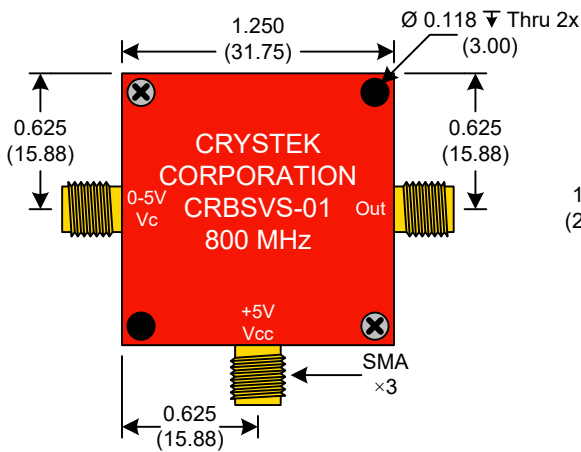
Frequency: 800.000 MHz
Temperature Range: -20°C to 70°C
Input Voltage: +5.0V
Input Current: 50 mA Max
Control Voltage Range: 0V to 5.0V
Tuning Sensitivity (Kv): +120 ppm/V Typical
Settability At Nominal (25°C): 0.7V to 2.0V
Output: TrueSineWave
 Frequency Stability: ±150ppm Typical
 Output Power: +8 dBm Min
 Start-up Time: 2 ms Typical, 5 ms Max
 Load: 50 Ω
2nd Harmonic: -25 dBc Max
Sub-Harmonics: None
Phase Noise Typical:

1 kHz	-115 dBc/Hz
10 kHz	-140 dBc/Hz
100 kHz	-150 dBc/Hz
1 MHz	-165 dBc/Hz
10 MHz	-172 dBc/Hz
20 MHz	-172 dBc/Hz

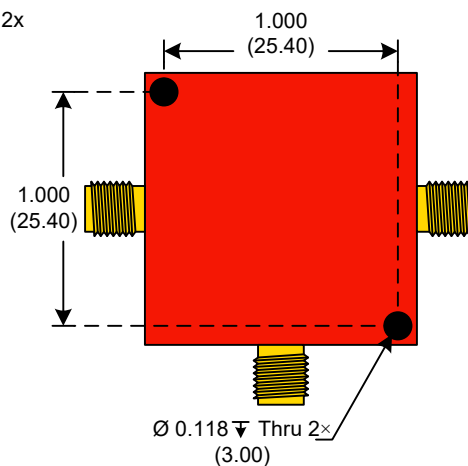
Aging: <5 ppm 1st year, <1 ppm every year thereafter



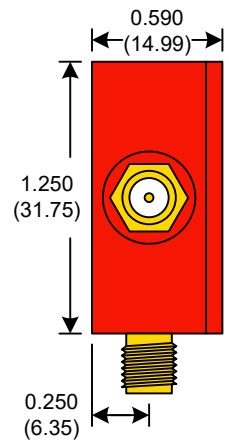
FRONT



BACK



SIDE



● Unless otherwise specified, Dimensions are in: $\frac{IN}{(mm)}$

Product Control:

Crystek Part Number:	CRBSVS-01-800.000	Release Date:	11-Jan-2017
Revision Level:	C	Responsible:	C. Vales