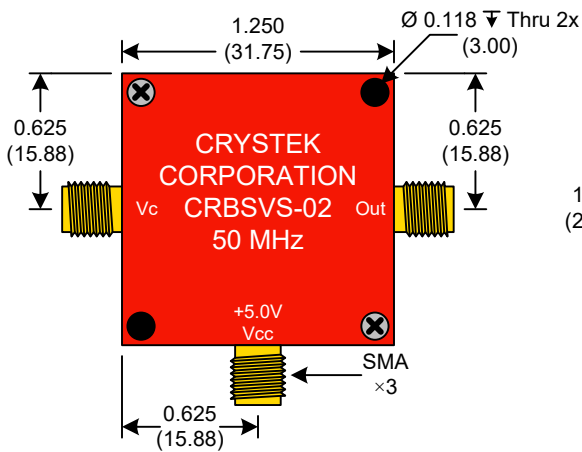




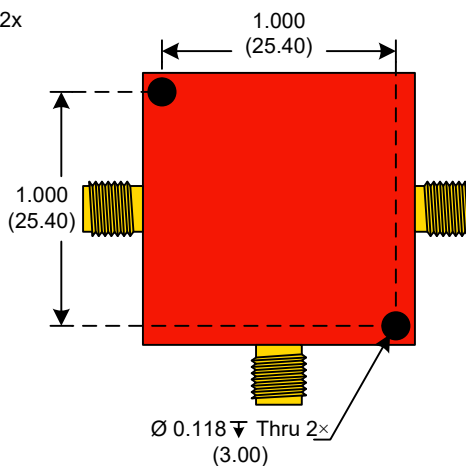
Frequency:	50.000 MHz
Temperature Range:	0°C to 70°C
Input Voltage:	+5.0 V ±5%
Input Current:	30 mA Max
Control Voltage Range:	0V to 5.0V
Tuning Sensitivity (Kv):	+25 ppm/V Typical
Modulation Bandwidth:	>10 kHz @ -3 dB
Settability At Nominal (25°C):	2.5V ±0.5V
Output:	TrueSineWave
Pullability APR:	±20ppm Typical
Linearity:	±10% Max
Output Power:	+5 dBm Min, +7 dBm Typical
Start-up Time:	2 ms Typical, 5 ms Max
Load:	50 Ω
2nd Harmonic:	-25 dBc Max
Sub-Harmonics:	None
Phase Noise Typical:	10 Hz -85 dBc/Hz
	100 Hz -120 dBc/Hz
	1 kHz -145 dBc/Hz
	10 kHz -162 dBc/Hz
	100 kHz -170 dBc/Hz
	1 MHz -170 dBc/Hz
Aging:	<3 ppm 1 st year, <1 ppm every year thereafter



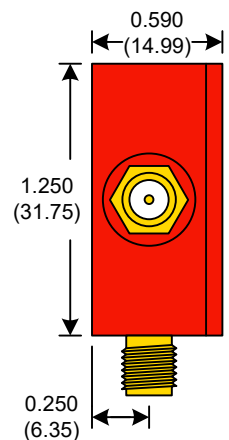
FRONT



BACK



SIDE



● Unless otherwise specified, Dimensions are in: $\frac{\text{IN}}{\text{(mm)}}$

Product Control:

Crystek Part Number:	CRBSVS-02-50.000	Release Date:	04-Apr-2023
Revision Level:	A	Responsible:	C. Vales

Crystek Corporation reserves the right to make changes to its products and/or information contained herein without notice. No liability is assumed as a result of its use or application.