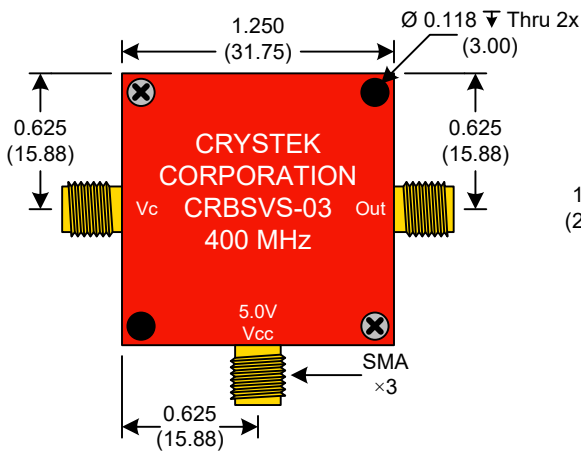




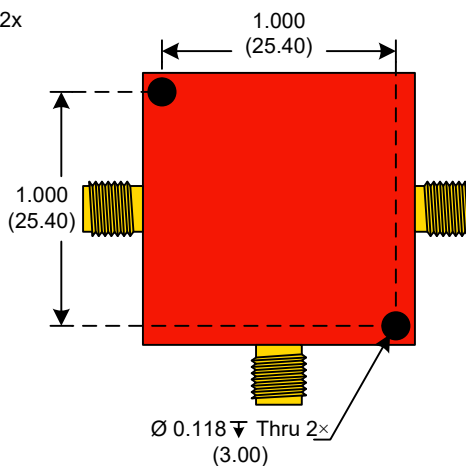
**Frequency:** 400.000 MHz  
**Temperature Range:** 0°C to 50°C  
**Input Voltage:** +5 V ±5%  
**Input Current:** 30 mA Max  
**Control Voltage Range:** 0V to 5.0V  
**Tuning Sensitivity (Kv):** +50 kHz/V Typical  
**Modulation Bandwidth:** >10 kHz @ -3 dB  
**Settability At Nominal (25°C):** 0.7V to 2.0V  
**Output:** TrueSineWave  
     Pullability APR: ±20ppm Typical  
     Linearity: ±20% Max  
     Output Power: +10 dBm Typical  
     Start-up Time: 2 ms Typical, 5 ms Max  
     Load: 50 Ω  
**2<sup>nd</sup> Harmonic:** -20 dBc Max  
**Sub-Harmonics:** None  
**Phase Noise Typical:** 1 kHz -118 dBc/Hz  
     10 kHz -142 dBc/Hz  
     100 kHz -163 dBc/Hz  
     1 MHz -169 dBc/Hz  
     10 MHz -170 dBc/Hz  
**Aging:** <3 ppm 1<sup>st</sup> year, <1 ppm every year thereafter



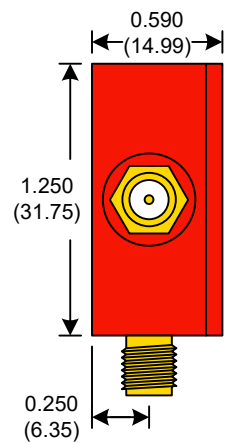
FRONT



BACK



SIDE



● Unless otherwise specified, Dimensions are in:  $\frac{IN}{(mm)}$



Proper ESD precautions should be taken to avoid performance degradation or loss of functionality.

**Product Control:**

Crystek Part Number:	CRBSVS-03-400.000	Release Date:	08-Jun-2023
Revision Level:	A	Responsible:	C. Vales

Crystek Corporation reserves the right to make changes to its products and/or information contained herein without notice. No liability is assumed as a result of its use or application.