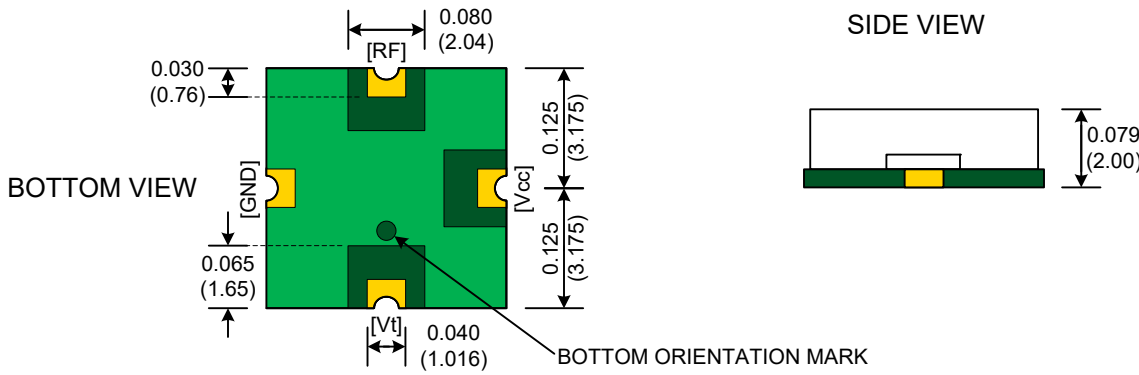
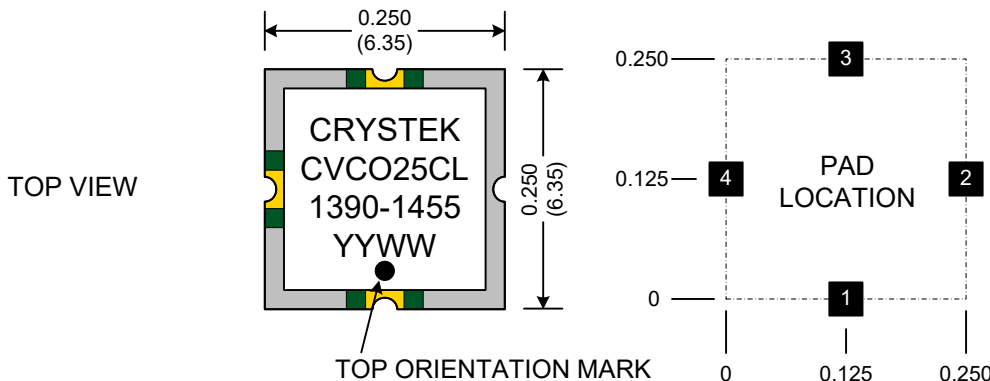


PERFORMANCE SPECIFICATION	MIN	TYP	MAX	UNITS
Lower Frequency:			1390	MHz
Upper Frequency:	1455			MHz
Tuning Voltage:	0.5		2.5	VDC
Supply Voltage:	2.7	3.0	3.3	VDC
Output Power:	+2	+4	+6	dBm
Supply Current:		15		mA
Harmonic Suppression: (2 nd Harmonic)		-15		dBc
Pushing:			2.0	MHz/V
Pulling (VSWR of 2:1, All Phases):			3.0	MHz pk-pk
Tuning Sensitivity:		50		MHz/V
Phase Noise @ 3kHz offset:			-73	dBc/Hz
Phase Noise @ 10kHz offset:			-92	dBc/Hz
Phase Noise @ 100kHz offset:			-112	dBc/Hz
Phase Noise @ 400kHz offset:			-125	dBc/Hz
Load Impedance:		50		Ω
Input Capacitance:			47	pF
Operating Temperature Range:	-40		+85	$^{\circ}\text{C}$
Storage Temperature Range:	-45		+90	$^{\circ}\text{C}$



Pad	Connection
1	Vt
2	GROUND
3	RF-OUTPUT
4	Vcc



- Unless otherwise specified, Dimensions are in: IN (mm)
- Pad Location Dimensions are in: Inches



Product Control:			
Crystek Part Number:	CVCO25CL-1390-1455	Release Date:	01-Mar-2018
Revision Level:	D	Responsible:	C. Vales

