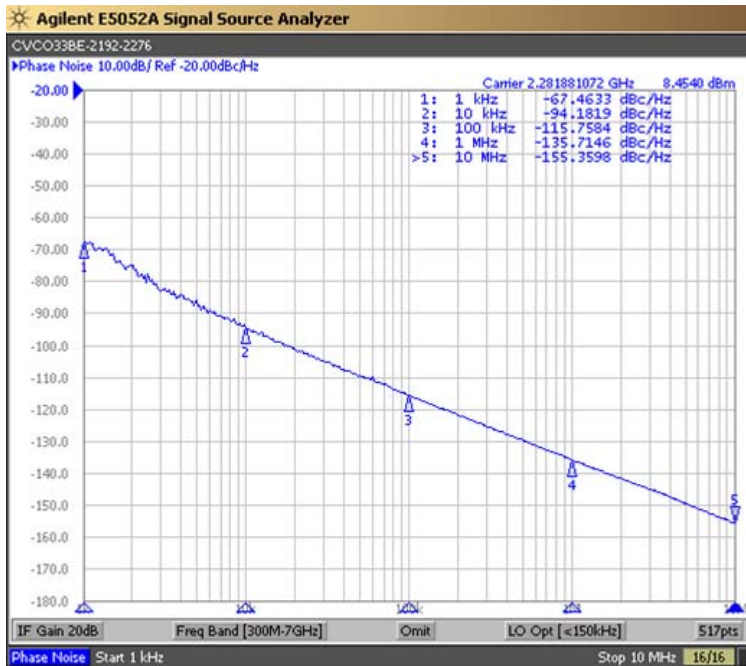


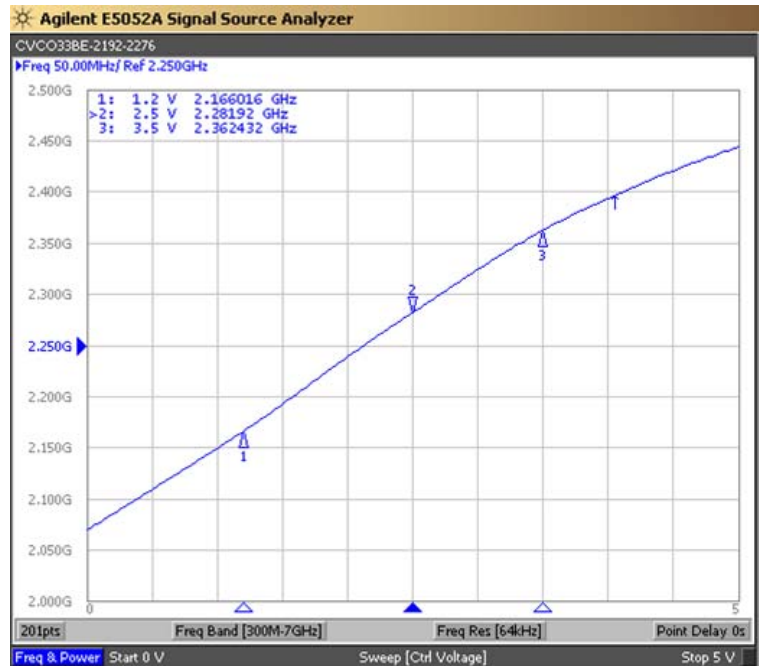


PERFORMANCE SPECIFICATION	MIN	TYP	MAX	UNITS
Lower Frequency:			2192	MHz
Upper Frequency:	2276			MHz
Tuning Voltage:	1.2		3.5	VDC
Supply Voltage:	4.75	5.0	5.25	VDC
Output Power:	+5.0	+8.0	+11.0	dBm
Supply Current:		18	25	mA
Harmonic Suppression (2 <sup>nd</sup> Harmonic):			-8	dBc
Pushing:		10	15	MHz/V
Pulling, all Phases:		25	30	MHz pk-pk
Tuning Sensitivity:		70		MHz/V
Phase Noise @ 10kHz offset:		-94		dBc/Hz
Load Impedance:		50		$\Omega$
Input Capacitance:			10	pF
Operating Temperature Range:	-40		+85	$^{\circ}\text{C}$
Storage Temperature Range:	-45		+90	$^{\circ}\text{C}$

Phase Noise (1 Hz BW, Typical)



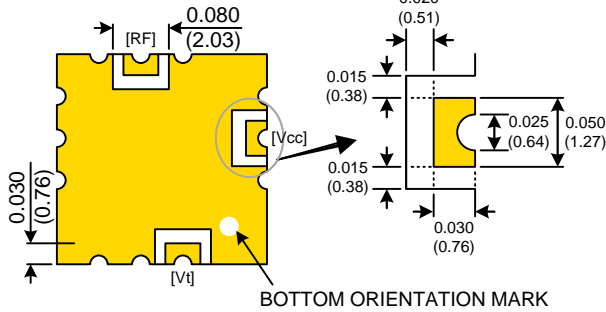
Tuning Curve (Typical)



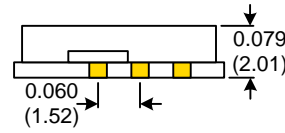


Gold Finish

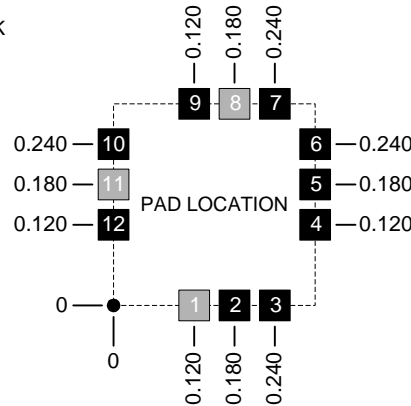
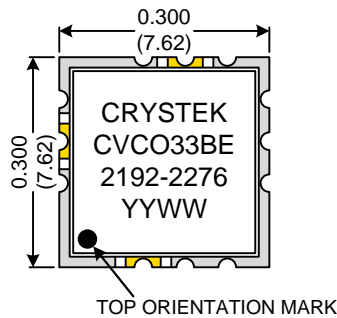
### BOTTOM VIEW



### SIDE VIEW



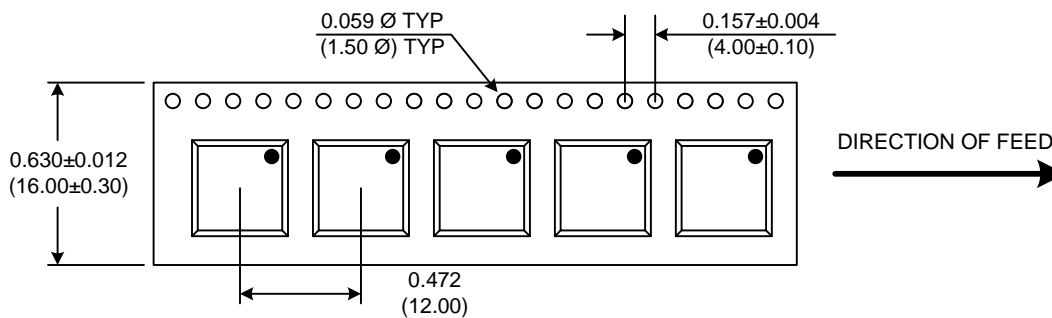
### TOP VIEW



Pad	Connection
1	Vt
8	RF-OUTPUT
11	Vcc
Others	GROUND

- Unless otherwise specified, Dimensions are in:  $\frac{IN}{(mm)}$
- Pad Location Dimensions are in: Inches

### TAPE AND REEL



Drawing not to scale

#### Product Control:

Crystek Part Number:	CVCO33BE-2192-2276	Release Date:	14-Nov-12
Revision Level:	D	Responsible:	C. Vales

Specification is subject to change without notice

