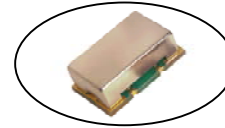


Ultra-Low Phase Noise Voltage Controlled Crystal Oscillator

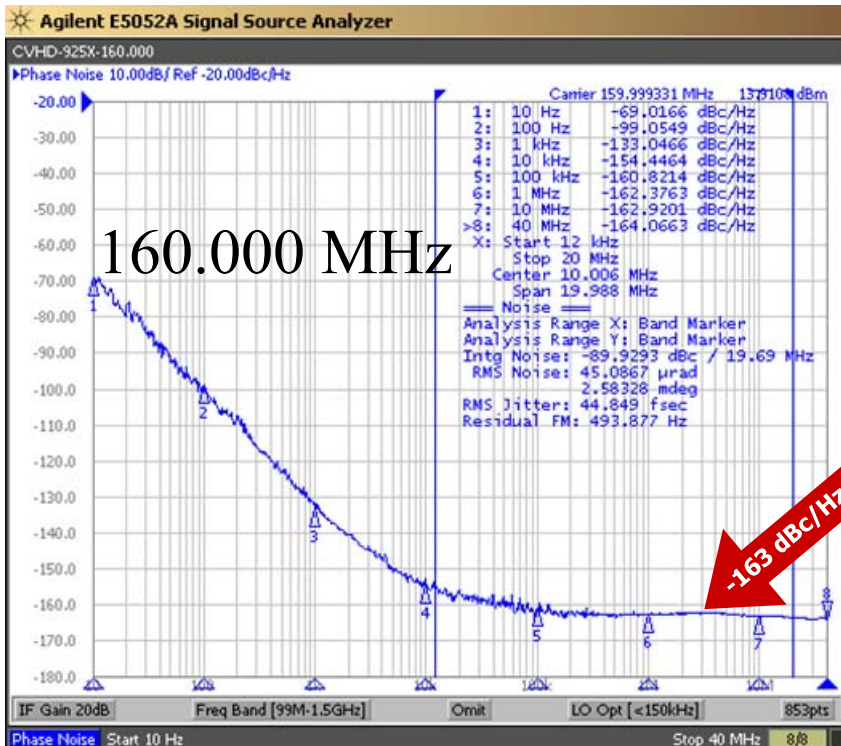
CVHD-925 Model 9×14 mm SMD, 3.3V, CMOS

Frequency Range:	131.000 to 160.000 MHz
Temperature Range:	0°C to 70°C
(Option X)	-40°C to 85°C
Storage:	-45°C to 90°C
Input Voltage:	3.3V ±0.3V
Supply Pushing:	1.2ppm/V Typical
Input Current:	15mA Typical, 25mA Max
Output:	CMOS
Symmetry:	45/55% Max @ 50% Vdd
Rise/Fall Time:	2ns Max @ 20% to 80% Vdd
Logic:	"0" = 10% Vdd Max "1" = 90% Vdd Min
Load:	15pF
Output current:	±24mA Max
Input:	
Modulation Bandwidth:	>10 kHz @ -3dB
Impedance:	51 kΩ
Control Voltage:	1.65V ±1.65V
Tuning Sensitivity:	+30ppm/V Typical
Frequency Pulling:	±20ppm APR Min (Inclusive of frequency stability, calibration, and aging)
Linearity:	±5% Max
Phase Jitter (12kHz~20MHz):	50 fsec Typical @ 160 MHz
Phase Noise (Typical):	See Plot
Sub-Harmonics:	None
Aging:	<3ppm 1 st year, <1ppm every year thereafter



Available Frequencies (MHz):

155.520
156.250
160.000



Absolute Maximum Ratings		
Parameter	Rating	Unit
Input Supply Voltage	+6.0	V
Input Control Voltage	+10.0	V

Crystek Corporation reserves the right to make changes to its products and/or information contained herein without notice. No liability is assumed as a result of its use or application.

Rev: C
Date: 16-Jan-2023
Page 1 of 2

Ultra-Low Phase Noise Voltage Controlled Crystal Oscillator

CVHD-925 Model
9×14 mm SMD, 3.3V, CMOS

Crystek Part Number Guide

CVHD-925 X - 160.000

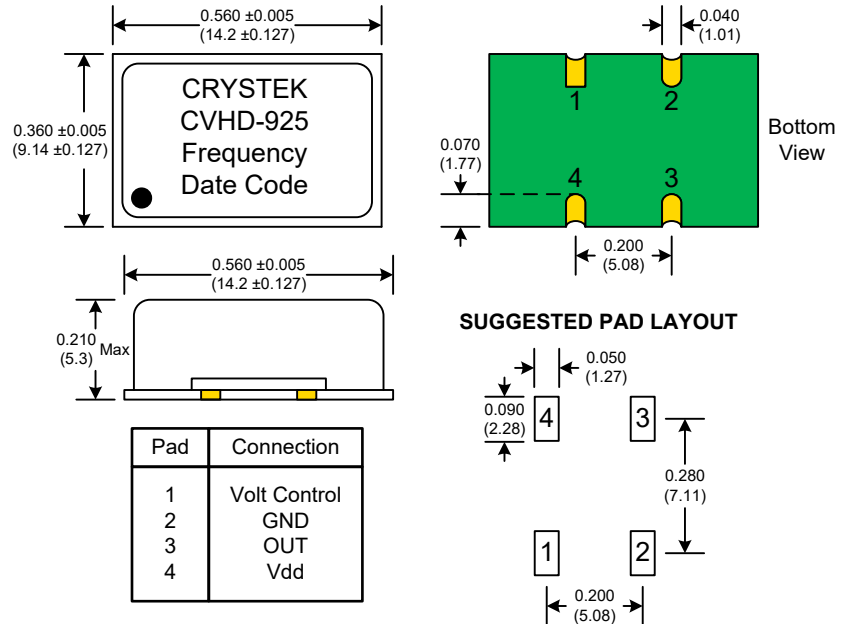
#1 #2 #3 #4

#1 Crystek 9×14 SMD CMOS VCXO
#2 Model 925
#3 Temp. Range: Blank = 0/70°C, X = -40/85°C
#4 Frequency in MHz: 3 or 6 decimal places

Example:
CVHD-925X-160.000 = 3.3V, 45/55, -40/85°C, 160.000 MHz

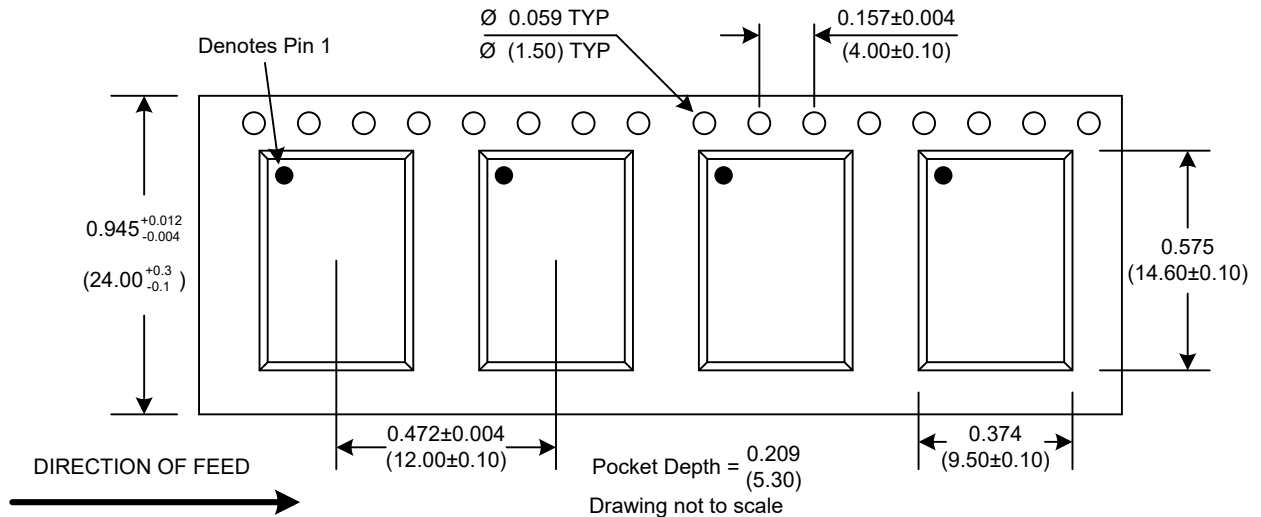
RECOMMENDED REFLOW SOLDERING PROFILE 900034 (See App Note listed on website)

<http://www.crystek.com/specification/reflow/900034.pdf>



PAD FINISH: Immersion Gold (ENIG); 5 micro inches maximum

TAPE
AND
REEL



Mechanical:

Shock:
Solderability:
Vibration:
Solvent Resistance:
Resistance to Soldering Heat:

MIL-STD-883, Method 2002, Condition B
MIL-STD-883, Method 2003
MIL-STD-883, Method 2007, Condition A
MIL-STD-202, Method 215
MIL-STD-202, Method 210, Condition I or J

Environmental:

Thermal Shock:
Moisture Resistance:

MIL-STD-883, Method 1011, Condition A
MIL-STD-883, Method 1004

Packaging:

Tape/Reel:

100ea, 250ea, 500ea 24mm Tape

Rev: C

Date: 16-Jan-2023

Page 2 of 2