

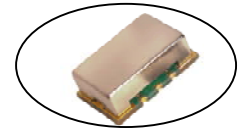
Ultra-Low Noise LVPECL VCXO

with -160 dBc/Hz Noise Floor!

CVPD-925 Model

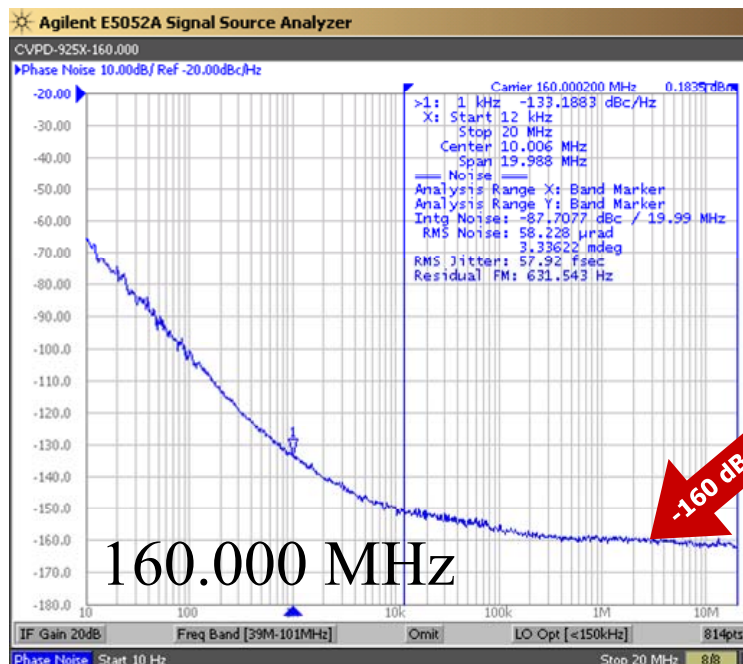
9x14 mm SMD, 3.3V, LVPECL

Frequency Range:	131 MHz to 160 MHz
Frequency Pulling:	±20ppm APR Min
Temperature Range:	0°C to 70°C
(Option X)	-40°C to 85°C
Storage:	-45°C to 90°C
Input Voltage:	3.3V ±0.3V
Input Current:	88mA Max
Output:	Differential LVPECL
Symmetry:	45/55% Max @ zero crossing point
Rise/Fall Time:	1ns Max (20% to 80%)
Linearity:	±10% Max
Logic:	Terminated to Vcc-2V into 50 ohms
	"0" = Vcc-1.85V Min, Vcc-1.62V Max
	"1" = Vcc-1.02V Min, Vcc-0.81V Max
Disable Time:	200ns
Start-up Time:	1ms Typical, 2ms Max
Input:	
Modulation Bandwidth:	>10kHz @ -3dB
Input Impedance:	51 kΩ
Control Voltage:	1.65V ±1.65V
Tuning Sensitivity:	+25ppm/V Typical
Sub-Harmonics:	None
Phase Jitter:	12 kHz to 20 MHz
	58 femtoseconds Typical @ 160 MHz
Phase Noise:	See Plot
Aging:	<3ppm 1 st year, <1ppm every year thereafter



Available Frequencies (MHz):

- 155.520
- 156.250
- 160.000



Rev: D
Date: 19-Jan-2023
Page 1 of 2

CVPD-925 Model
9x14 mm SMD, 3.3V, LVPECL

Ultra-Low Noise LVPECL VCXO

with -160 dBc/Hz Noise Floor!

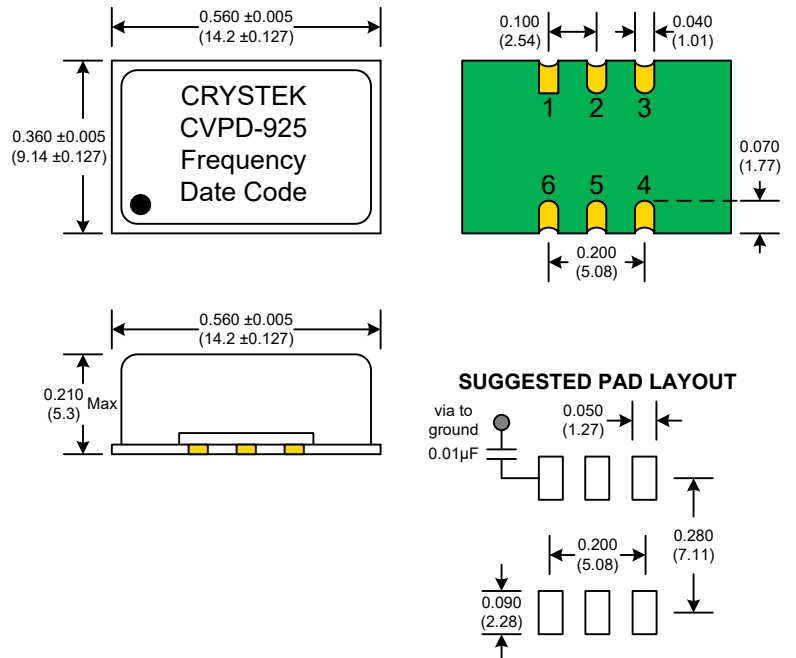
Crystek Part Number Guide

CVPD-925 X - 160.000

#1 #2 #3 #4

- #1 Crystek 9x14 SMD PECL VCXO
- #2 Model 925
- #3 Temp. Range: Blank = 0/70°C, X = -40/85°C
- #4 Frequency in MHz: 3 or 6 decimal places

Example:
CVPD-925X-160.000 = 3.3V, 45/55, -40/85°C, 160.000 MHz



PAD FINISH: Immersion Gold (ENIG); 5 micro inches maximum

RECOMMENDED REFLOW SOLDERING PROFILE
900034 (See App Note listed on website)

<http://www.crystek.com/specification/reflow/900034.pdf>

PIN	Function
1	Control Volt
2	E/D
3	GND
4	OUT
5	COUT
6	Vdd

Enable/Disable	
Pin 2 Input	Output Pin
Open	Active
"1" level 2.0V Min	High Z
"0" level 0.8V Max	Active

Mechanical:

Shock: MIL-STD-883, Method 2002, Condition B
 Solderability: MIL-STD-883, Method 2003
 Vibration: MIL-STD-883, Method 2007, Condition A
 Solvent Resistance: MIL-STD-202, Method 215
 Resistance to Soldering Heat: MIL-STD-202, Method 210, Condition I or J

Environmental:

Thermal Shock: MIL-STD-883, Method 1011, Condition A
 Moisture Resistance: MIL-STD-883, Method 1004

Packaging:

Tape/Reel: 100ea, 250ea, 500ea 24mm Tape

Rev: D
 Date: 19-Jan-2023
 Page 2 of 2